

Miniature Stepping Motor Driver with micro-step

Operating Manual

May 20, 2003

(VERSION 1.0)

Manual

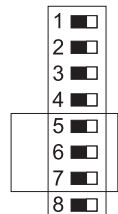
Model: SMD093064

SPECIFICATION

MODEL	SMD093064 2 phase bipolar micro-step drives
Supply Voltage	10~40VDC
Adjustable Current/Phase	3A(PEAK)
Isolated Input Signal Current	3.0V to 10V, pulse & direction signal, current OFF, CW/CCW
Chopping Frequency	20kHz chopping rate
Steps/resolution (1.8 stepping motor)	Dip switch selectable 200, 400, 800, 1600, 3200, 6400, 12800
Protection	Wrong phase (wiring)
Power on	LED
Overheat Display LED	None
Automatic Power Down	YES
Power Limitation	None
Two clock(CW/CCW)	Optional
Size(mm)	60 x 116 x 35

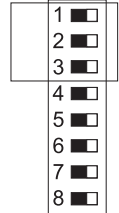
CURRENT SELECTION GUIDE (LEFT & RIGHT)

CURRENT	DIP NO.5	DIP NO.6	DIP NO.7
0.9A	L	L	L
1.5A	L	R	L
1.2A	L	L	R
1.8A	L	R	R
2.1A	R	L	L
2.7A	R	R	L
2.4A	R	L	R
3A	R	R	R

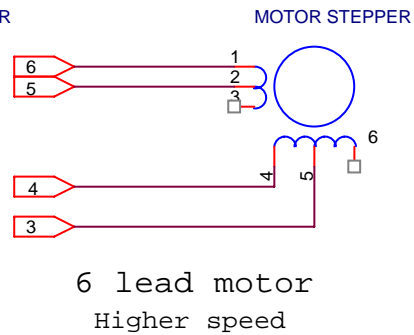
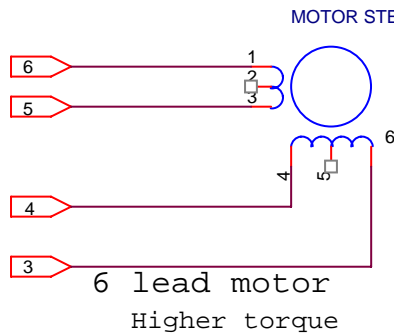
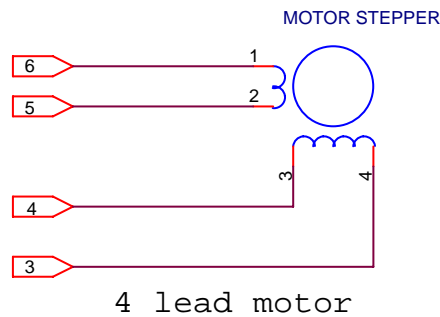


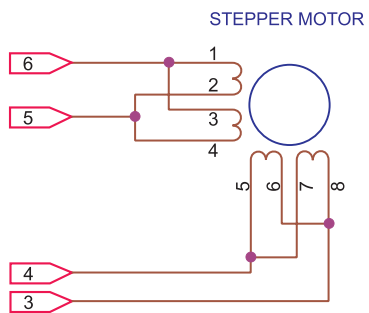
MICROSTEP SELECTION GUIDE (LEFT & RIGHT)

STEP	DIP NO.1	DIP NO.2	DIP NO.3
200	R	R	R
400	L	R	R
800	R	L	R
1600	L	L	R
3200	R	R	L
6400	L	R	L
12800	R	L	L

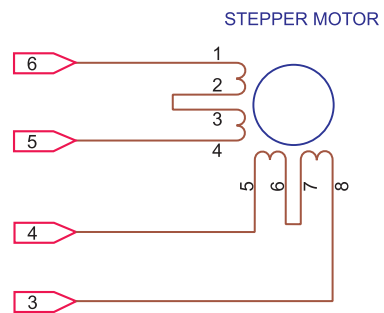


STEPPER MOTOR CONNECTION





8 lead motor
parallel connection
Higher torque



8 lead motor
serial connection
Higher speed