

Marchant Dice Ltd

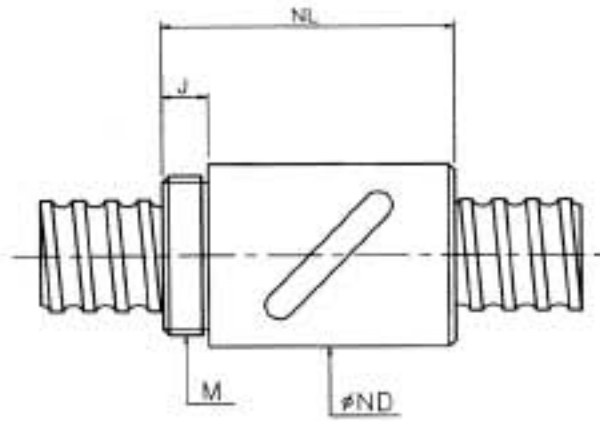


Ball screw Catalogue

Diameter/Pitch	Ballnut Matrix										
	FSI	DEB	RSB	SE	DDB	GBMZ	GBSZ	DINZ	GBMF	GBSF	DINF
8/2.5				0							
10/2.5				0							
10/4				0							
12/4			0	0							
16/5	0	0	0	0	0			0		0	0
20/5	0	0	0	0	0		0	0		0	0
20/6				0							
20/10			0								
20/20						0			0		
20/50						0			0		
25/5	0	0	0	0	0		0	0		0	0
25/6				0				0			
25/8				0							
25/10	0	0	0	0					0		
25/25						0			0		
32/5	0	0	0	0	0		0	0		0	0
32/6				0							
32/8				0							
32/10	0	0	0	0	0		0	0		0	0
32/20		0		0	0						
32/40						0			0		
40/5	0	0	0	0	0		0	0		0	0
40/6				0							
40/8				0							
40/10	0	0	0	0	0			0		0	0
40/12				0							
40/20		0		0	0			0	0		
50/5	0	0	0		0						
50/8				0							
50/10	0	0		0	0		0	0		0	0
50/12				0							
50/20		0		0	0		0		0		
63/10	0	0		0	0		0	0		0	0
63/12				0							
63/20		0		0	0						
80/10					0						
80/20		0			0						



Type: RSB
Class 7
 (0.052um/300mm)
 Backlash

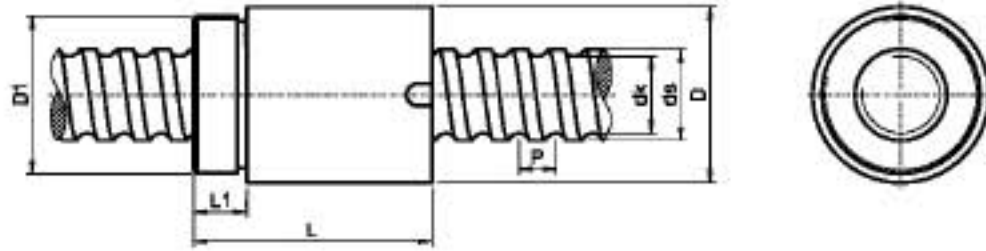


Part Number	Ø	Pitch	Nominal Ball Size Ø			Dimensions (mm)			
				dyn C (N)	Stat Co (N)	NL	ND	M	J
RSB 12-04B1	12	4	2.381	3 440	5 740	34	25.5	M20x1	10
RSB 16-05B1	16	5	3.175	6 790	12 270	42	36	M30x1.5	12
RSB 20-05C1	20	5	3.175	10 010	21 490	54	40	M36x1.5	14
RSB 20-10B1	20	10	4.763	12 800	23 140	60	50	M45x1.5	15
RSB 25-05B2	25	5	3.175	15 340	39 750	69	47	M42x1.5	19
RSB 25-10B1	25	10	4.763	14 590	29 830	60	55	M45x1.5	15
RSB 25-10B2	25	10	4.763	26 490	59 660	90	55	M45x1.5	15
RSB 32-05B2	32	5	3.175	17 020	50 990	69	55	M50x2	19
RSB 32-10B2	32	10	6.350	43 800	103 450	105	68	M62x2	19
RSB 40-05B2	40	5	3.175	18 590	63 540	62	68	M62x2	19
RSB 40-10B2	40	10	6.350	48 130	127 330	110	76	M70x2	24
RSB 50-05B2	50	5	3.175	71 460	224 770	70	79	M70x2	29



TYPE: SE
Class 5

0.23um/300mm
Preloaded or Backlash

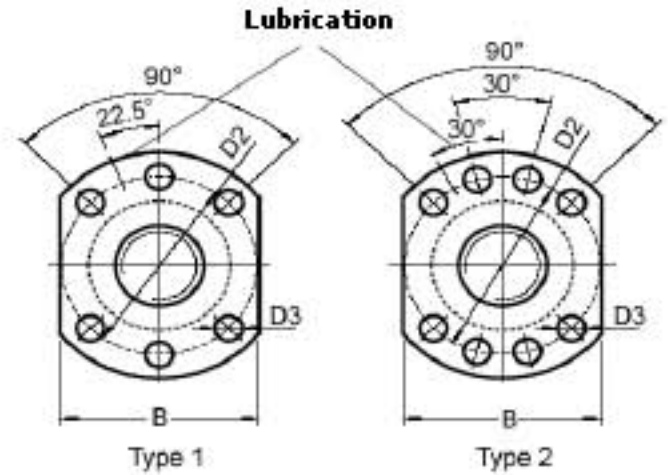
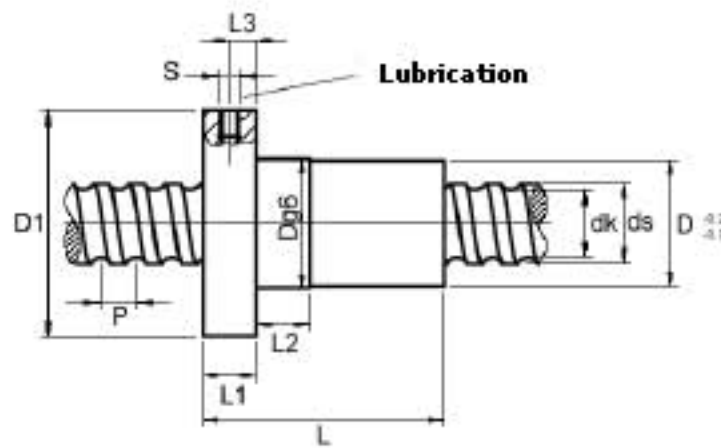


Part Number	Ø	Pitch			Dimensions (mm)					Weight g
			dyn C (N)	Stat Co (N)	D -0.2	D1	L -0.5	L1	dk	
SE08025-R-2EO	7.8	2.5	1200	3360	17.5	M15x1	23.5	7.5	6.1	40
SE10025-R-2EO	10	2.5	1780	2630	19.5	M17x1	25	7.5	8.1	60
SE1004-R-2EO	10	4	1980	2820	24	M22x1	32	10	7.7	80
SE1204-R-1GO	12	4	3000	5700	25.5	M20x1	34	10	9.5	100
SE1605-R-3EF	16	5	9600	12700	36	M30x1.5	42	12	13.5	450
SE2005-R-4EF	20	5	13900	21800	40	M35x1.5	52	12	17.5	530
SE2006-R-3EF	20	6	10100	14600	40	M35x1.5	56	12	17.5	550
SE2505-R-4EF	25	5	15600	27900	45	M40x1.5	60	15	22.5	820
SE2506-R-4EF	25	6	14700	25500	45	M40x1.5	65	15	22.5	850
SE2508-R-2EF	25	8	19600	24400	48	M45x1.5	65	15	20.8	980
SE2510-R-3EF	25	10	24100	36200	48	M45x1.5	70	15	21	1.000
SE3205-R-5EF	32	5	20700	43900	52	M48x1.5	60	15	29.5	1.130
SE3206-R-4EF	32	6	16800	34000	52	M48x1.5	65	15	29.5	1.150
SE3208-R-3EF	32	8	32000	47500	56	M52x1.5	80	15	27.8	1.440
SE3210-R-4EF	32	10	40900	63200	56	M52x1.5	90	15	27.8	1.620
SE3220-R-2EB	32	20	20300	26800	56	M52x1.5	80	15	27.8	1.440
SE4005-R-5EF	40	5	22500	54600	65	M60x1.5	68	18	37.5	1.630
SE4006-R-5EF	40	6	22500	54600	65	M60x1.5	74	18	37.5	1.680
SE4008-R-4EF	40	8	46800	82600	65	M60x1.5	88	18	35.8	1.750
SE4010-R-4EF	40	10	46800	82600	65	M60x1.5	88	18	35.8	1.750
SE4012-R-3EF	40	12	36500	61800	65	M60x1.5	98	18	35.8	1.820
SE4020-R-2EB	40	20	23800	36400	65	M60x1.5	88	18	35.8	1.750
SE5008-R-4EF	50	8	52700	106700	80	M75x1.5	100	20	45.8	2.960
SE5010-R-4EF	50	10	52800	106800	80	M75x1.5	100	20	45.8	2.960
SE5012-R-4EF	50	12	51200	102000	80	M75x1.5	110	20	45.8	3.050
SE5020-R-3EB	50	20	40000	76200	80	M75x1.5	114	20	45.8	3.150
SE6308-R-6EF	63	8	84700	210900	95	M85x2	120	20	58.8	4.370
SE6310-R-6EF	63	10	84700	210800	95	M85x2	120	20	58.8	4.370
SE6312-R-6EF	63	12	82800	203700	95	M85x2	135	20	58.8	4.420
SE6320-R-3EP	63	20	96000	189000	95	M85x2	138	20	55.4	4.400

R - Right Hand Lead
L - Left Hand Lead



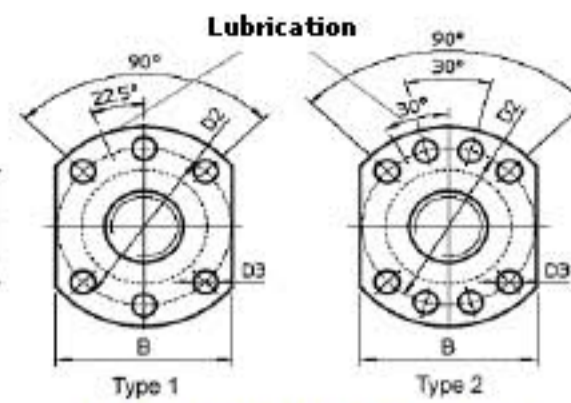
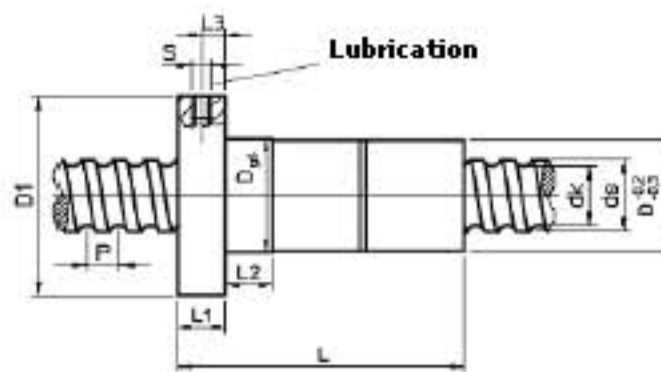
**Type: FSI
Class 7**
(0.052um/300mm)
Backlash



DIN 69051-Part 5. Form B.

Part Number	Ø	Pitch mm	Type	Ø Ball			Dimensions (mm)									
					dyn C (N)	Stat Co (N)	D1	D	B	L1	L3	L	D3	L2	D2	Lube
FSI 16-05T3	16	5	1	3.175	6 510	11 725	48	28	40	10	5	44	5.5	10	38	M6x1
FSI 20-05T3	20	5	1	3.175	7 186	14 657	58	36	44	10	5	44	6.6	10	47	M6x1
FSI 20-05T4	20	5	1	3.175	9 206	19 539	58	36	44	10	5	52	6.6	10	47	M6x1
FSI 25-05T3	25	5	1	3.175	8 627	20 412	62	40	48	10	5	44	6.6	10	51	M6x1
FSI 25-05T4	25	5	1	3.175	11 049	27 216	62	40	48	10	5	52	6.6	12	51	M6x1
FSI 25-10T3	25	10	1	4.763	10 420	28 569	62	40	48	10	5	74	6.6	16	51	M6x1
FSI 32-05T3	32	5	1	3.175	9 882	27 186	80	50	62	12	6	46	9	10	65	M6x1
FSI 32-05T4	32	5	1	3.175	12 657	36 245	80	50	62	12	6	53	9	10	65	M6x1
FSI 32-05T6	32	5	1	3.175	17 941	54 363	80	50	62	12	6	66	9	10	65	M6x1
FSI 32-10T3	32	10	1	6.350	22 196	47 088	80	50	62	12	6	74	9	16	65	M6x1
FSI 32-10T4	32	10	1	6.350	28 431	62 784	80	50	62	12	6	85	9	16	65	M6x1
FSI 40-05T4	40	5	2	3.175	13 863	45 304	93	63	70	14	7	53	9	10	78	M8x1
FSI 40-05T6	40	5	2	3.175	19 647	67 961	93	63	70	14	7	66	9	10	78	M8x1
FSI 40-10T3	40	10	2	6.350	26 000	62 422	93	63	70	14	7	74	9	16	78	M8x1
FSI 40-10T4	40	10	2	6.350	33 294	83 225	93	63	70	14	7	87	9	16	78	M8x1
FSI 50-05T3	50	5	2	3.175	15 314	58 235	110	75	85	16	8	57	11	10	93	M8x1
FSI 50-05T6	50	5	2	3.175	21 706	87 353	110	75	85	16	8	70	11	10	93	M8x1
FSI 50-10T3	50	10	2	6.350	29 853	81 706	110	75	85	16	8	78	11	16	93	M8x1
FSI 50-10T4	50	10	2	6.350	38 225	108 941	110	75	85	16	8	89	11	16	93	M8x1
FSI 50-10T6	50	10	2	6.350	54 176	163 412	110	75	85	16	8	112	11	16	93	M8x1
FSI 63-10T4	63	10	2	6.350	41 176	127 451	125	89	95	18	9	91	11	19	108	M8x1

1 kN = 102 Kgf



DIN 69051-Part 5. Form B.

TYPE: DDB Class 5

0.23um/300mm
Preloaded or Backlash

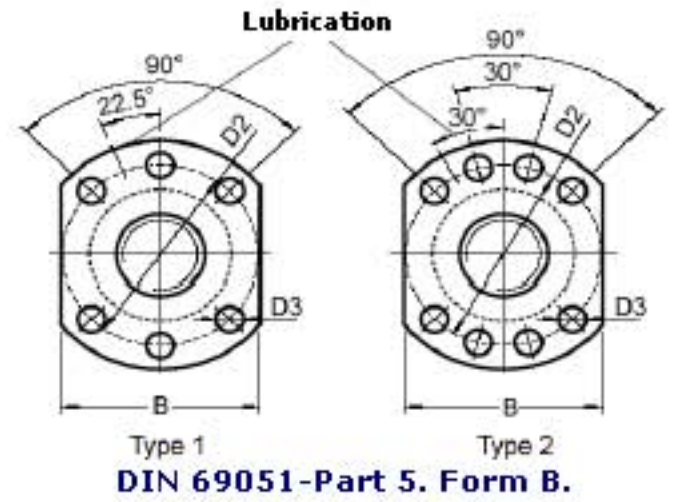
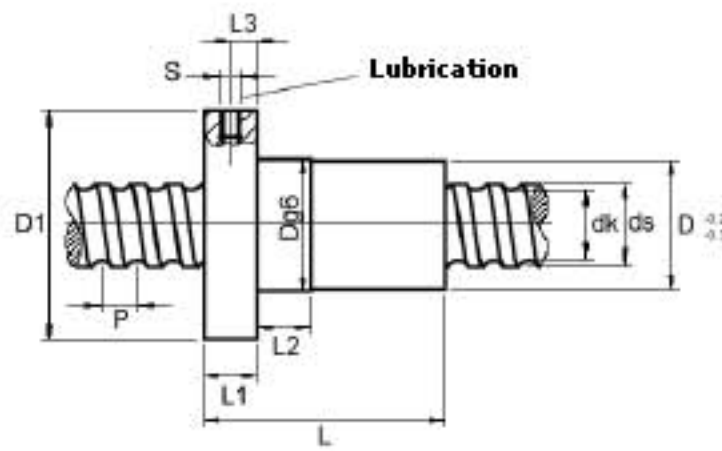
Part Number	Ø	Pitch mm	Type			Dimensions (mm)									
				dyn C (N)	Stat Co (N)	D1	D g6	B	L1	L3	L	D3	L2	D2	S
DDB1605-R-3EF-	16	5	1	9 600	12 700	48	28	40	10	5	80	5.5	10	38	M6
DDB2005-R-4EF-	20	5	1	13 900	21 800	58	36	44	10	5	82	6.6	10	47	M6
DDB2505-R-4EF-	25	5	1	15 600	27 900	62	40	48	10	5	95	6.6	10	51	M6
DDB2510-R-3EF-	25	10	1	24 100	36 200	62	40	48	10	5	115	6.6	16	51	M6
DDB3205-R-5EF-	32	5	1	20 700	43 900	80	50	62	12	6	95	9	10	65	M6
DDB3210-R-3EF-	32	10	1	40 900	63 200	80	50	62	14	7	138	9	16	65	M6
DDB3220-R-2EB-	32	20	1	20 300	26 800	80	50	62	14	7	138	9	16	65	M6
DDB4005-R-5EF-	40	5	2	22 500	54 600	93	63	70	14	7	109	9	10	78	M8x1
DDB4010-R-4EF-	40	10	2	46 800	82 600	93	63	70	14	7	150	9	16	78	M8x1
DDB4020-R-2EB-	40	20	2	23 800	36 400	93	63	70	14	7	150	9	16	78	M8x1
DDB5005-R-5EF-	50	5	2	24 900	69 800	110	75	85	16	8	112	11	10	93	M8x1
DDB5010-R-4EF-	50	10	2	52 800	106 800	110	75	85	16	8	164	11	16	93	M8x1
DDB5020-R-3EB-	50	20	2	40 000	76 200	110	75	85	16	8	196	11	16	93	M8x1
DDB6310-R-6EF-	63	10	2	84 700	210 800	125	90	95	18	9	205	11	16	108	M8x1
DDB6320-R-4EP-	63	20	2	120 000	250 000	135	95	100	20	10	270	13.5	25	115	M8x1
DDB8010-R-6EF-	80	10	2	93 400	269 200	145	105	110	20	10	205	13.5	16	125	M8x1
DDB8020-R-4EP-	80	20	2	135 000	322 000	165	125	130	25	12	280	13.5	25	145	M8x1

R - Right Hand Lead
L - Left Hand Lead



**TYPE: DEB
Class 5**

0.23um/300mm
Preloaded or Backlash



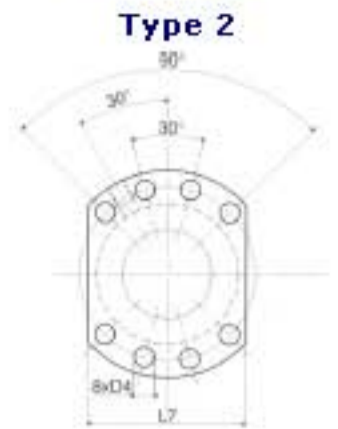
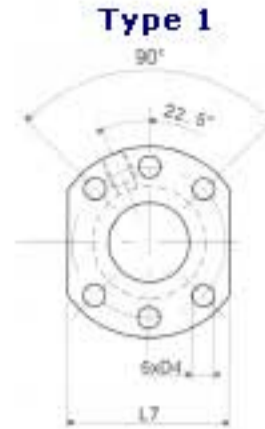
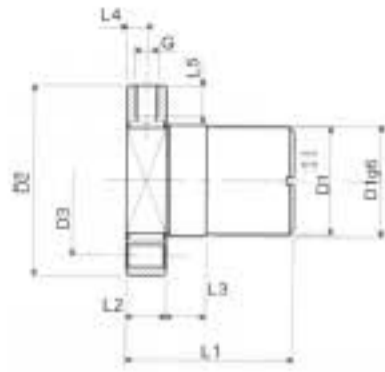
Part Number	Ø	Pitch mm	Type			Dimensions (mm)									
				dyn C (N)	Stat Co (N)	D1	Dg6	B	L1	L3	L	D3	L2	D2	S
DEB1605-R-3EF	16	5	1	9 600	12 700	48	28	40	10	5	40	5.5	10	38	M6
DEB2005-R-4EF	20	5	1	13 900	21 800	58	36	44	10	5	52	6.6	10	47	M6
DEB2505-R-4EF	25	5	1	15 600	27 900	62	40	48	10	5	52	6.6	10	51	M6
DEB2510-R-3EF	25	10	1	24 100	36 200	62	40	48	10	5	65	6.6	16	51	M6
DEB3205-R-5EF	32	5	1	20 700	43 900	80	50	62	12	6	60	9	10	65	M6
DEB3210-R-4EF	32	10	1	40 900	63 200	80	50	62	14	7	85	9	16	65	M6
DEB3220-R-2EB	32	20	1	20 300	26 800	80	50	62	14	7	80	9	16	65	M6
DEB4005-R-5EF	40	5	2	22 500	54 600	93	63	70	14	7	69	9	10	78	M8x1
DEB4010-R-4EF	40	10	2	46 800	82 600	93	63	70	14	7	88	9	16	78	M8x1
DEB4020-R-2EB	40	20	2	23 800	36 400	93	63	70	14	7	88	9	16	78	M8x1
DEB5005-R-5EF	50	5	2	24 900	69 800	110	75	85	16	8	69	11	10	93	M8x1
DEB5010-R-4EF	50	10	2	52 800	106 800	110	75	85	16	8	98	11	16	93	M8x1
DEB5020-R-3EB	50	20	2	40 000	76 200	110	75	85	16	8	114	11	16	93	M8x1
DEB6310-R-6EF	63	10	2	84 700	210 800	125	90	95	18	9	120	11	16	108	M8x1
DEB6320-R-4EP	63	20	2	120 000	250 000	135	95	100	20	10	150	13.5	25	115	M8x1
DEB8010-R-6EF	80	10	2	93 400	269 200	145	105	110	20	10	120	13.5	16	125	M8x1
DEB8020-R-4EP	80	20	2	135 000	322 000	165	125	130	25	12	160	13.5	25	145	M8x1
DEB8020-R-5EP	80	20	2	161 500	398 000	165	125	130	25	12	175	13.5	25	145	M8x1
DEBH8020-R-6GP	80	20	2	260 000	710 000	175	135	140	25	12.5	170	13.5	25	155	M8x1

R - Right Hand Lead
L - Left Hand Lead

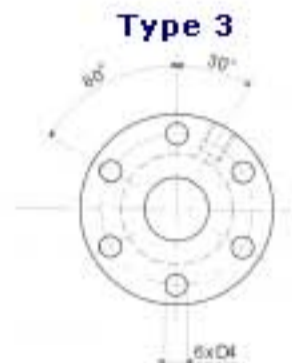
1 kN = 102 Kgf



TYPE: DINF DIN69051
Class 7 Backlash
(0.052um/300mm)



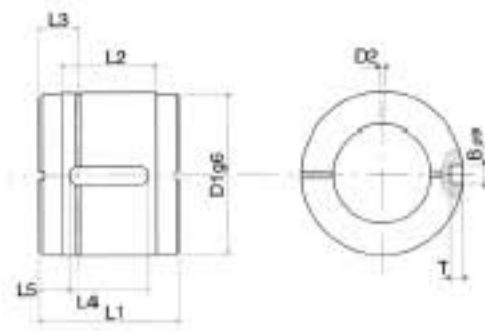
TYPE: GBSF/GBMF
Class 7 Backlash
(0.052um/300mm)



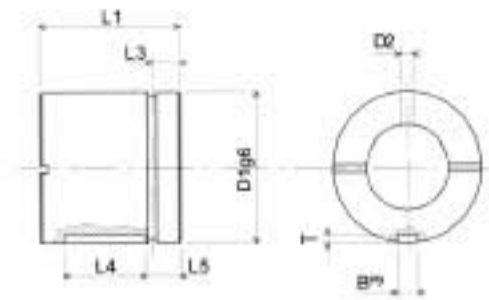
Part Number	Ø	Pitch mm	Circuits	g Ball	Type	Dimensions (mm)														G	g
						dyn C (N)	Stat Co (N)	D g6	D2 h13	D3	D4	L1	L2	L3	L4	L5	L6	L7			
GBSF 1605	16	5	3	3.5	3	7 000	12 700	28	48	38	5.5	44	12	8	6	8	-	-	M6	200	
DINF 1605	16	5	3	3.5	1	7 000	12 700	28	48	38	5.5	42	10	10	5	8	-	40	M6	200	
GBSF 2005	20	5	3	3.5	3	8 000	17 000	32	55	45	7	44	12	8	6	8	-	-	M6	250	
DINF 2005	20	5	3	3.5	1	8 000	17 000	36	58	47	6.6	42	10	10	5	8	-	44	M6	250	
GBMF 2020	20	20	3	3.5	3	9 000	19 100	35	62	50	7	30	10	4	5	8	8	-	M6	250	
GBMF 2050	20	50	5	3.5	3	10 430	25 240	35	62	50	7	56	10	18	5	8	8	-	M6	400	
GBSF 2505	25	5	3	3.5	3	9 500	22 400	38	62	50	7	46	14	8	7	8	-	-	M6	350	
DINF 2505	25	5	3	3.5	1	9 500	22 400	40	62	51	6.6	42	10	10	5	8	-	48	M6	350	
GBMF 2510	25	10	5	3.5	1	16 500	42 900	40	62	51	6.6	45	10	15	5	10	10	48	M6	400	
GBMF 2525	25	25	4	3.5	1	12 800	32 600	40	62	51	6.6	35	10	9	5	10	8	48	M6	400	
GBSF 3205	32	5	5	3.5	3	17 000	49 000	45	70	58	7	59	16	10	8	8	-	-	M6	550	
DINF 3205	32	5	5	3.5	1	17 000	49 000	50	80	65	9	5	12	10	6	8	-	62	M6	550	
GBSF 3210	32	10	3	6.35	3	25 700	56 000	53	80	68	7	73	16	10	8	8	-	-	M8x1	900	
DINF 3210	32	10	3	6.35	1	25 700	56 000	50	80	65	9	69	12	16	6	8	-	62	M6	900	
GBMF 3240	32	40	3	3.5	3	11 500	33 500	53	80	68	7	45	16	14	8	10	7.5	-	M6	500	
GBSF4005	40	5	5	3.5	3	19 000	63 500	53	80	68	7	59	16	10	8	8	-	-	M6	800	
DINF 4005	40	5	5	3.5	2	19 000	63 500	63	93	78	9	57	14	10	7	10	-	70	M8x1	800	
GBSF 4010	40	10	3	7.14	3	30 000	70 000	63	95	78	9	73	16	10	8	8	-	-	M8x1	1200	
DINF 4010	40	10	3	7.14	2	30 000	70 000	63	93	78	9	71	14	16	7	10	-	70	M8x1	1200	
GBMF 4020	40	20	5	5.00	2	30 500	87 500	63	93	78	9	70	14	36	7	10	5	70	M8x1	1350	
GBSF 5010	50	10	5	7.14	3	55 000	153 000	72	110	90	11	97	18	10	9	8	-	-	M8x1	2000	
DINF 5010	50	10	5	7.14	2	55 000	153 000	75	110	93	11	95	16	16	8	10	-	85	M8x1	2000	
GBMF 5020	50	20	5	7.14	2	61 700	178 400	85	125	103	11	80	18	39	9	10	5	95	M8x1	2000	
GBSF 6310	63	10	5	7.14	3	60 000	200 000	85	125	105	11	99	20	10	10	8	-	-	M8x1	2600	
DINF 6310	63	10	5	7.14	2	60 000	200 000	90	125	108	11	97	18	16	9	10	-	95	M8x1	2600	



TYPE GBMZ



TYPE GBSZ / DINZ



TYPE: GBMZ/GBSZ DINZ

Class 7

(0.052um/300mm)
Backlash

Part Number	ø	Pitch mm	Circuits	ø Ball	Dimensions (mm)											g
					dyn C (N)	Stat Co (N)	D g6	D2	L1	L2	L3	L4	L5	BxT		
DINZ 1605	16	05	3	3.50	7 000	12 700	28	3	34	-	6.75	20	7	5x2	150	
GBSZ 2005	20	05	3	3.50	8 000	17 000	32	3	34	-	6.75	20	7	5x2	150	
DINZ 2005	20	05	3	3.50	8 000	17 000	36	3	34	-	6.75	20	7	5x2	150	
GBMZ 2020	20	20	3	3.50	9 000	19 100	35	1.5	30	14	11.50	12	9	5x2	150	
GBMZ 2050	20	50	5	3.50	10 430	25 240	35	1.5	56	40	14	20	18	5x2	300	
GBSZ 2505	25	05	3	3.50	9 500	22 400	38	3	34	-	6.75	20	7	5x2	200	
DINZ 2505	25	05	3	3.50	9 500	22 400	40	3	34	-	6.75	20	7	5x2	200	
GBMZ 2510	25	10	5	3.50	16 500	42 900	40	1.5	45	25	14	20	12.5	5x2	250	
GBMZ 2525	25	25	4	3.50	12 800	32 600	40	1.5	35	19	11.5	13	11	5x3	200	
GBSZ 3205	32	05	5	3.50	17 000	49 000	45	3	45	-	7.25	30	7.5	6x2.5	300	
DINZ 3205	32	05	5	3.50	17 000	49 000	50	3	45	-	7.25	30	7.5	6x2.5	300	
GBSZ 3210	32	10	3	6.35	25 700	56 000	53	3	60	-	10	30	15	6x2.5	600	
DINZ 3210	32	10	3	6.35	25 700	56 000	50	3	60	-	10	30	15	6x2.5	600	
GBMZ 3240	32	40	3	3.50	11 500	33 500	53	1.5	50	30	15.50	25	12.5	6x4	450	
GBSZ 4005	40	05	5	3.50	19 000	63 500	53	3	45	-	7.25	30	7.5	6x2.5	500	
DINZ 4005	40	05	5	3.50	19 000	63 500	63	3	45	-	7.25	30	7.5	6x2.5	500	
DINZ 4010	40	10	3	7.14	30 000	70 000	63	4	60	-	10	30	15	6x2.5	900	
GBMZ 4020	40	20	5	5.00	30 500	87 500	63	1.5	70	50	15	30	20	6x2.5	1200	
GBSZ 5010	50	10	5	7.14	55 000	153 000	72	4	82	-	11	36	23	6x2.5	1100	
DINZ 5010	50	10	5	7.14	55 000	153 000	75	4	82	-	11	36	23	6x2.5	1100	
GBSZ 5020	50	20	5	7.14	61 700	178 400	85	1.5	74	50	17	30	22	6x2.5	1400	
GBSZ 6310	63	10	5	7.14	60 000	200 000	85	4	82	-	11	36	23	6x2.5	1500	
DINZ 6310	63	10	5	7.14	60 000	200 000	90	4	82	-	11	36	23	6x2.5	1500	

