
ORAC 85

BOOK 1

ORAC 85 / ELECTRICAL DRGS.

DRG NO.	DESCRIPTION	REMARKS.
<ul style="list-style-type: none"> M 2050 • M 2119 	MAIN INTERCONNECTIONS (CABLES) " " " "	REVISED VERSION (PRESENTATION)
<ul style="list-style-type: none"> • M 2094 • M 2095 	POWER SUPPLY UNIT — CIRC. DIAG. " " " — L/O	
<ul style="list-style-type: none"> M 2011 • M 2106 	COMPT. VF. PC 1965 — CIRC. DIAG. " " " — L/O	
<ul style="list-style-type: none"> • S 2098 S 2074 	REGULATOR BOARD PC 1601 — CIRC. DIAG. " " " — L/O	
<ul style="list-style-type: none"> • S 2108 • S 2109 	SPINDLE CONTROL UNIT PC 1951 — CIRC. DIAG. " " " " — L/O	
<ul style="list-style-type: none"> • S 2097 	BLEETCH BOARD — L/O (ONLY)	
<ul style="list-style-type: none"> M 1958 • S 2099 S 2077 S 2076 	MODULATOR FOR NEW MONITOR CIRC. DIAG. " " " " L/O MODULATOR FOR KME MONITOR CIRC. DIAG. (PC 2075) LEAFLET "REI" COUNS L/O	
<ul style="list-style-type: none"> • M 2105 • S 2123 S 1861 • S 2100 S 1632 	RIBBON CABLE INTERCONNS. INTERCONNS — 2501 PSU TO RACK " — 8151 PSU TO RACK " — TIO-A TO CASSETTE (DATA) " — CASSETTE TO H/RUNOFF JACK	APPLICABLE TO A SMALL NUMBER OF UNITS MOST UNITS.
<ul style="list-style-type: none"> • M 2102 S 2016 • M 2103 S 2013 • M 2104 S 2044 • M 2104 S 2101 S 0061 (SYN) 	TIO-A BOARD — CIRC. DIAG. " " — L/O TIO-B BOARD — CIRC. DIAG. " " — L/O TIO-C BOARD — CIRC. DIAG. " " — L/O MPO9 PRECESSOR BOARD — L/O ONLY PRM-1 (DEDICATED) REF X84 — L/O ONLY CBM-1 — L/O ONLY.	
<ul style="list-style-type: none"> • S 2120 • S 2124 • S 2121 S 1938 	OPTO SENSOR PC 1852 — L/O ONLY. INDEXING TOOL POS. SENSOR PC 1928 — CIRC. " " " — L/O. " " " — DISK ENCODING	
<ul style="list-style-type: none"> • M 2125 — — 	BROWN PISTAL SPINDLE MOTOR SPEED CONTROLLER DATA SHEET — GEN. ARRANGMT. MANUAL MANUAL.	

MAIN INTERCONNECTIONS (CABLES) (1)

M2050

M2119

POWER PACK

TS1

- PIN 5 - BROWN } EMERGENCY STOP
- 6 - BLUE
- 7 - BROWN - JMI } BROWN
- 8 - BLUE - JMI } POSTELL
- 9 - C/Y
- 10 - LINE
- 11 - NEUTRAL } MAINS INPUT
- 12 - EARTH } SOCKET
- 1 - FROM CONT - SS
- 2 - YELLOW, PH2 } PC1965
- 3 - BLUE, PH3 } BLOCK 'E'
- 4 - GREEN } RETURN TO FM4 ON TBI - P.S.U.

PC1985 BLOCK 'F'

- PIN 1 - CON
- PINS 2-9 - AUX. OUTPUTS
- PIN 10 - 24V D.C.
- PINS 11-14 - AUX. INPUTS
- PIN 15 - AUX. COIL
- PINS 16-24 - TOUCHSTOCK CON.

PC1985 BLOCK 'E'

- PIN 1 - BROWN-RED
- 2 - 2 YELLOW REL
- 3 - 3 BLUE } TBI
- 4 - TBI } RELAY
- 5 - 6 } COIL
- 7 - BLUE
- 8 - RED
- 9 - GREEN/S

PC1601 BLOCK 'C'

- PIN 1 - YELLOW
- 2 - BLACK
- 3 - ORANGE
- 4 - BLUE
- 5 - GREEN
- 6 - GREEN
- 7 - 2

PC1985 BLOCK 'F'

- PIN 1 - PINS 2-26 } BLOCK 'F'
- 2 - 26 } BLOCK 'F'

PC1985 BLOCK 'C'

- PIN 6 - BLACK
- 7 - 5
- 8 - 5
- 9 - 5
- 10 - 5
- 11 - 5
- 12 - 5
- 13 - 5
- 14 - 5
- 15 - 5
- 16 - 5
- 17 - 5
- 18 - 5
- 19 - 5
- 20 - 5
- 21 - 5
- 22 - 5
- 23 - 5
- 24 - 5
- 25 - 5
- 26 - 5

PC1985 BLOCK 'C'

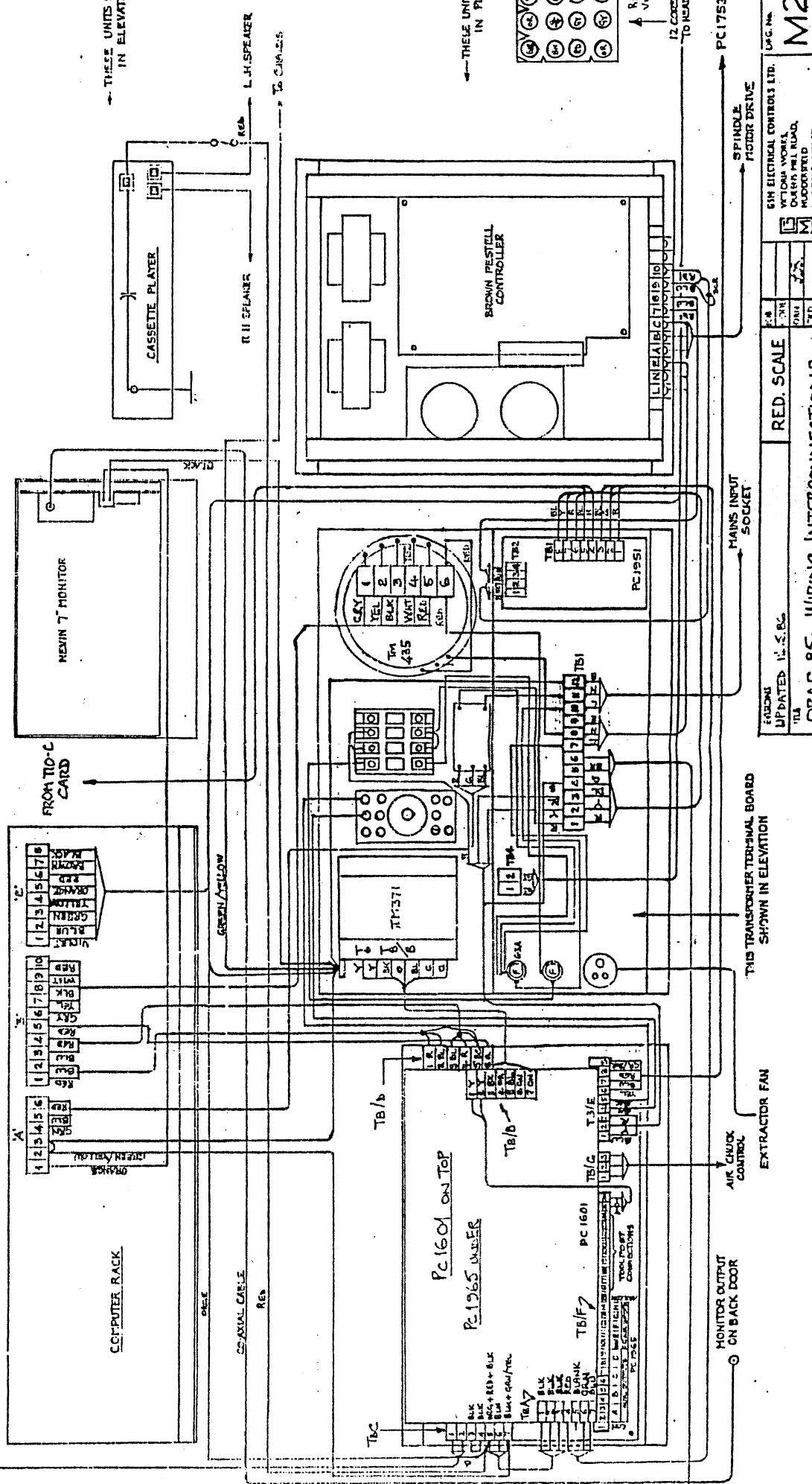
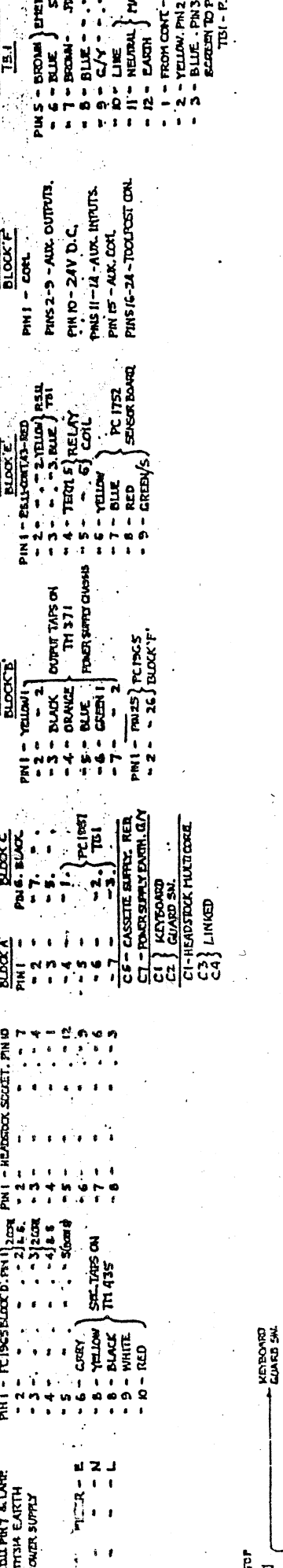
- PIN 1 - HEADSTOCK SOCKET, PIN 10
- 2 - 2
- 3 - 3
- 4 - 4
- 5 - 5
- 6 - 6
- 7 - 7
- 8 - 8
- 9 - 9
- 10 - 10
- 11 - 11
- 12 - 12
- 13 - 13
- 14 - 14
- 15 - 15
- 16 - 16
- 17 - 17
- 18 - 18
- 19 - 19
- 20 - 20
- 21 - 21
- 22 - 22
- 23 - 23
- 24 - 24
- 25 - 25
- 26 - 26

PC1985 BLOCK 'C'

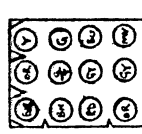
- PIN 1 - FC1965 BLOCK D, FM4 } 2 OR
- 2 - 2 } L, 6
- 3 - 3 } 3 OR
- 4 - 4 } 4, 8, 8
- 5 - 5 } 5 OR
- 6 - 6 } 6 OR
- 7 - 7 } 7 OR
- 8 - 8 } 8 OR
- 9 - 9 } 9 OR
- 10 - 10 } 10 OR

PC1985 BLOCK 'C'

- PIN 1 - FC1965 BLOCK D, FM4 } 2 OR
- 2 - 2 } L, 6
- 3 - 3 } 3 OR
- 4 - 4 } 4, 8, 8
- 5 - 5 } 5 OR
- 6 - 6 } 6 OR
- 7 - 7 } 7 OR
- 8 - 8 } 8 OR
- 9 - 9 } 9 OR
- 10 - 10 } 10 OR



← THESE UNITS SHOWN IN PLAN



↑ RISE VIEW

12 CABLES IN SERIES TO HEADSTOCK SOCKET

PC1752
SPINDLE MOTOR DRIVE

BROWN PRESTELL CONTROLLER

PC1951

PC1965

PC1601

PC1985

PC1965

PC1601

PC1985

PC1965

PC1985 BLOCK 'F'

PC1985 BLOCK 'E'

PC1601 BLOCK 'C'

PC1985 BLOCK 'F'

PC1985 BLOCK 'C'

PC1985 BLOCK 'C'

PC1985 BLOCK 'C'

PC1985 BLOCK 'C'

PC1985 BLOCK 'C'

PC1985 BLOCK 'C'

PC1985 BLOCK 'F'

PC1985 BLOCK 'E'

PC1601 BLOCK 'C'

PC1985 BLOCK 'F'

PC1985 BLOCK 'C'

PC1985 BLOCK 'C'

PC1985 BLOCK 'C'

PC1985 BLOCK 'C'

PC1985 BLOCK 'C'

PC1985 BLOCK 'C'

PC1985 BLOCK 'F'

PC1985 BLOCK 'E'

PC1601 BLOCK 'C'

PC1985 BLOCK 'F'

PC1985 BLOCK 'C'

PC1985 BLOCK 'C'

PC1985 BLOCK 'C'

PC1985 BLOCK 'C'

PC1985 BLOCK 'C'

PC1985 BLOCK 'C'

PC1985 BLOCK 'F'

PC1985 BLOCK 'E'

PC1601 BLOCK 'C'

PC1985 BLOCK 'F'

PC1985 BLOCK 'C'

PC1985 BLOCK 'C'

PC1985 BLOCK 'C'

PC1985 BLOCK 'C'

PC1985 BLOCK 'C'

PC1985 BLOCK 'C'

PC1985 BLOCK 'F'

PC1985 BLOCK 'E'

PC1601 BLOCK 'C'

PC1985 BLOCK 'F'

PC1985 BLOCK 'C'

PC1985 BLOCK 'C'

PC1985 BLOCK 'C'

PC1985 BLOCK 'C'

PC1985 BLOCK 'C'

PC1985 BLOCK 'C'

PC1985 BLOCK 'F'

PC1985 BLOCK 'E'

PC1601 BLOCK 'C'

PC1985 BLOCK 'F'

PC1985 BLOCK 'C'

PC1985 BLOCK 'C'

PC1985 BLOCK 'C'

PC1985 BLOCK 'C'

PC1985 BLOCK 'C'

PC1985 BLOCK 'C'

PC1985 BLOCK 'F'

PC1985 BLOCK 'E'

PC1601 BLOCK 'C'

PC1985 BLOCK 'F'

PC1985 BLOCK 'C'

PC1985 BLOCK 'C'

PC1985 BLOCK 'C'

PC1985 BLOCK 'C'

PC1985 BLOCK 'C'

PC1985 BLOCK 'C'

PC1985 BLOCK 'F'

PC1985 BLOCK 'E'

PC1601 BLOCK 'C'

PC1985 BLOCK 'F'

PC1985 BLOCK 'C'

PC1985 BLOCK 'C'

PC1985 BLOCK 'C'

PC1985 BLOCK 'C'

PC1985 BLOCK 'C'

PC1985 BLOCK 'C'

PC1985 BLOCK 'F'

PC1985 BLOCK 'E'

PC1601 BLOCK 'C'

PC1985 BLOCK 'F'

PC1985 BLOCK 'C'

PC1985 BLOCK 'C'

PC1985 BLOCK 'C'

PC1985 BLOCK 'C'

PC1985 BLOCK 'C'

PC1985 BLOCK 'C'

PC1985 BLOCK 'F'

PC1985 BLOCK 'E'

PC1601 BLOCK 'C'

PC1985 BLOCK 'F'

PC1985 BLOCK 'C'

PC1985 BLOCK 'C'

PC1985 BLOCK 'C'

PC1985 BLOCK 'C'

PC1985 BLOCK 'C'

PC1985 BLOCK 'C'

PC1985 BLOCK 'F'

PC1985 BLOCK 'E'

PC1601 BLOCK 'C'

PC1985 BLOCK 'F'

PC1985 BLOCK 'C'

PC1985 BLOCK 'C'

PC1985 BLOCK 'C'

PC1985 BLOCK 'C'

PC1985 BLOCK 'C'

PC1985 BLOCK 'C'

PC1985 BLOCK 'F'

PC1985 BLOCK 'E'

PC1601 BLOCK 'C'

PC1985 BLOCK 'F'

PC1985 BLOCK 'C'

PC1985 BLOCK 'C'

PC1985 BLOCK 'C'

PC1985 BLOCK 'C'

PC1985 BLOCK 'C'

PC1985 BLOCK 'C'

PC1985 BLOCK 'F'

PC1985 BLOCK 'E'

PC1601 BLOCK 'C'

PC1985 BLOCK 'F'

PC1985 BLOCK 'C'

PC1985 BLOCK 'C'

PC1985 BLOCK 'C'

PC1985 BLOCK 'C'

PC1985 BLOCK 'C'

PC1985 BLOCK 'C'

PC1985 BLOCK 'F'

PC1985 BLOCK 'E'

PC1601 BLOCK 'C'

PC1985 BLOCK 'F'

PC1985 BLOCK 'C'

PC1985 BLOCK 'C'

PC1985 BLOCK 'C'

PC1985 BLOCK 'C'

PC1985 BLOCK 'C'

PC1985 BLOCK 'C'

PC1985 BLOCK 'F'

PC1985 BLOCK 'E'

PC1601 BLOCK 'C'

PC1985 BLOCK 'F'

PC1985 BLOCK 'C'

PC1985 BLOCK 'C'

PC1985 BLOCK 'C'

PC1985 BLOCK 'C'

PC1985 BLOCK 'C'

PC1985 BLOCK 'C'

PC1985 BLOCK 'F'

PC1985 BLOCK 'E'

PC1601 BLOCK 'C'

PC1985 BLOCK 'F'

PC1985 BLOCK 'C'

PC1985 BLOCK 'C'

PC1985 BLOCK 'C'

PC1985 BLOCK 'C'

PC1985 BLOCK 'C'

PC1985 BLOCK 'C'

PC1985 BLOCK 'F'

PC1985 BLOCK 'E'

PC1601 BLOCK 'C'

PC1985 BLOCK 'F'

PC1985 BLOCK 'C'

PC1985 BLOCK 'C'

PC1985 BLOCK 'C'

PC1985 BLOCK 'C'

PC1985 BLOCK 'C'

PC1985 BLOCK 'C'

PC1985 BLOCK 'F'

PC1985 BLOCK 'E'

PC1601 BLOCK 'C'

PC1985 BLOCK 'F'

PC1985 BLOCK 'C'

PC1985 BLOCK 'C'

PC1985 BLOCK 'C'

PC1985 BLOCK 'C'

PC1985 BLOCK 'C'

PC1985 BLOCK 'C'

PC1985 BLOCK 'F'

PC1985 BLOCK 'E'

PC1601 BLOCK 'C'

PC1985 BLOCK 'F'

PC1985 BLOCK 'C'

PC1985 BLOCK 'C'

PC1985 BLOCK 'C'

PC1985 BLOCK 'C'

PC1985 BLOCK 'C'

PC1985 BLOCK 'C'

PC1985 BLOCK 'F'

PC1985 BLOCK 'E'

PC1601 BLOCK 'C'

PC1985 BLOCK 'F'

PC1985 BLOCK 'C'

PC1985 BLOCK 'C'

PC1985 BLOCK 'C'

PC1985 BLOCK 'C'

PC1985 BLOCK 'C'

PC1985 BLOCK 'C'

PC1985 BLOCK 'F'

PC1985 BLOCK 'E'

PC1601 BLOCK 'C'

PC1985 BLOCK 'F'

PC1985 BLOCK 'C'

PC1985 BLOCK 'C'

PC1985 BLOCK 'C'

PC1985 BLOCK 'C'

KEYBOARD SWITCH — ON PC1952

COMPUTER INTERFACE PC1965

SENSOR PC1752

REGULATOR BOARD PC1965

MAINS INPUT SKT.

POWER SUPPLY UNIT

VENTILATING FAN

EMERGENCY STOP P.B.

MONITOR UNIT

COMPUTER RACK

SPINDLE CONTROL PC1951

HEADSTOCK SKT.

INPUT / OUTPUT CARD TIO-C

SPINDLE SPEED CONTROLLER

SPINDLE MOTOR

GROUND TERMINAL

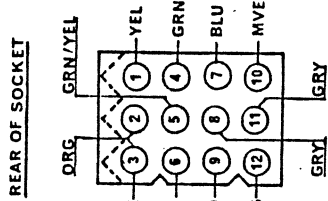
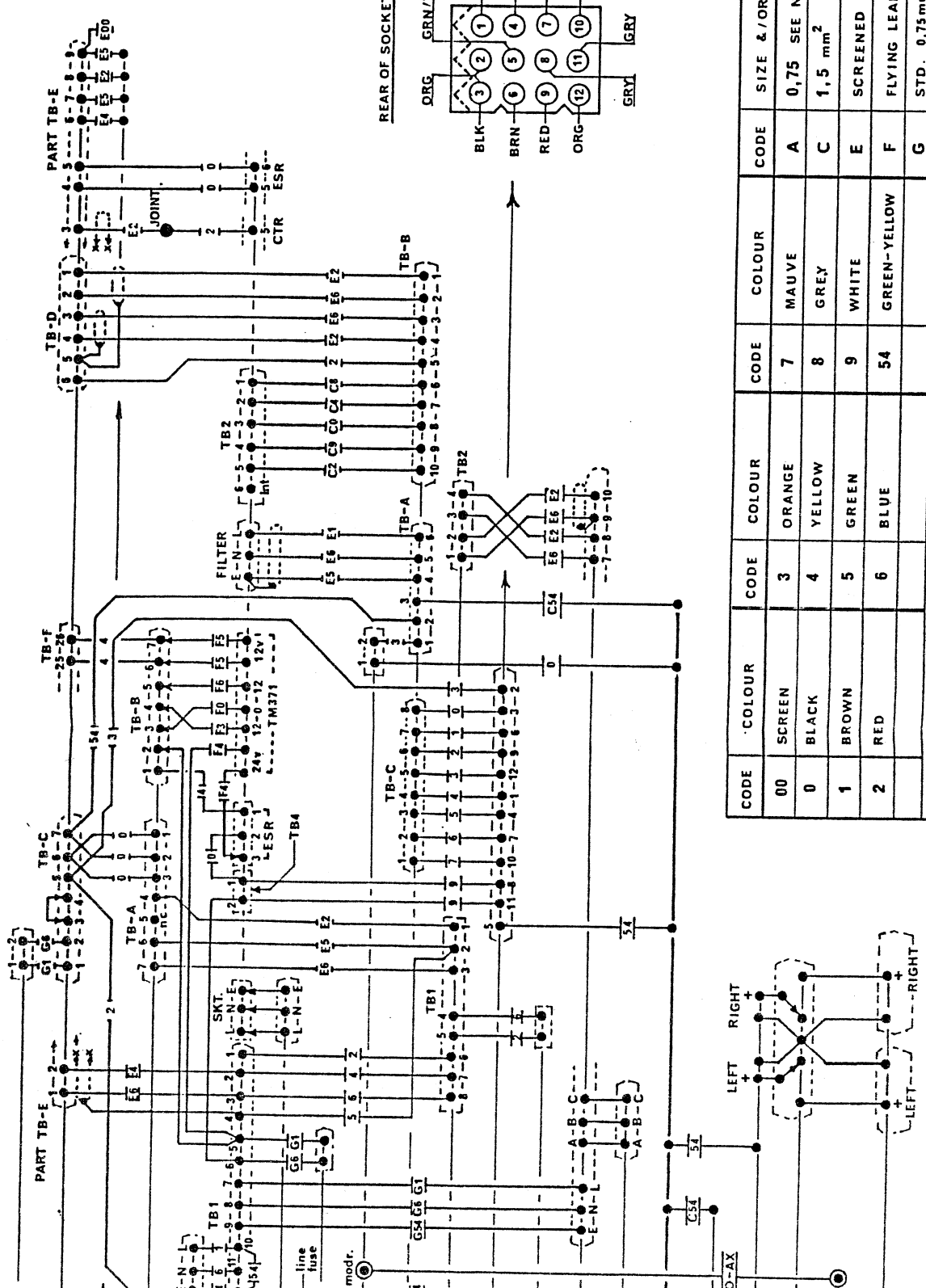
CHASSIS CONNECTION

CASSETTE UNIT

HEADPHONE SKT.

MONITOR (TV) SKT.

LOUDSPEAKERS



CODE	COLOUR	CODE	COLOUR	CODE	COLOUR	CODE	COLOUR	CODE	COLOUR	CODE	COLOUR	CODE	COLOUR	SIZE &/OR TYPE
00	SCREEN	3	ORANGE	7	MAUVE	A	0,75	SEE NOTE						
0	BLACK	4	YELLOW	8	GREY	C	1,5	mm ²						
1	BROWN	5	GREEN	9	WHITE	E		SCREENED CABLE						
2	RED	6	BLUE	54	GREEN-YELLOW	F		FLYING LEADS						
						G		STD. 0,75mm ² CABLE						

NOTE! ALL CABLES ARE CODE A UNLESS SHOWN OTHERWISE

REVISIONS

JOB	
CODE	
DRN.	PJP
CKD.	
DATE	23.6.66

GBM-SYNTTEL LTD.

VICTORIA WORKS,
QUEENS MILL ROAD,
HUDDERSFIELD,
W. YORKS. HD1 3PG
Phone: 0484 38101/2

DRG. No.

M2119

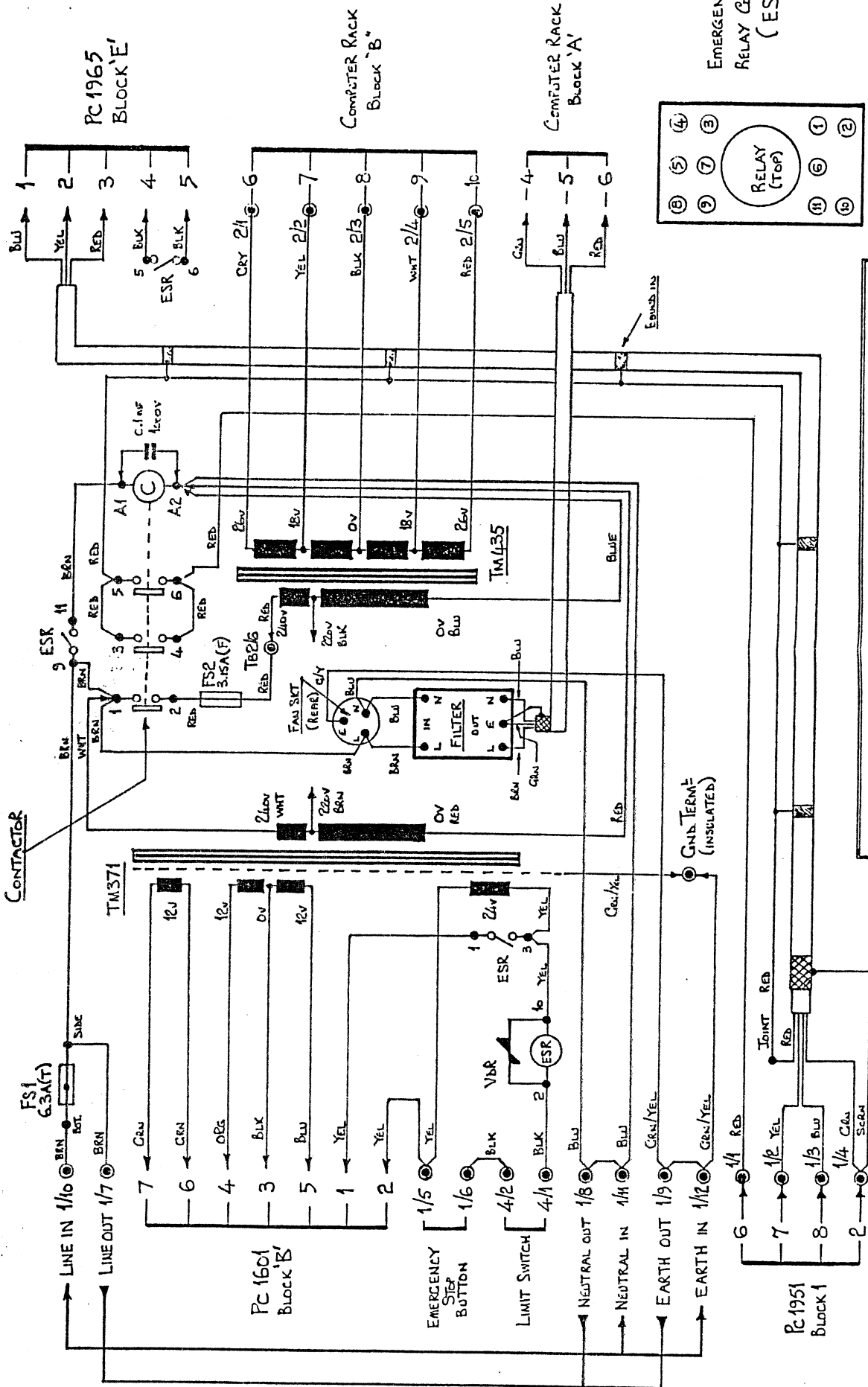
ORAC 85 - MAIN INTERCONNECTION DIAGRAM - CABLES.

MAIN P.S.U.

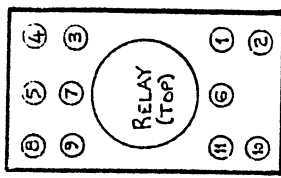
②

M2094

M2095



SEE DRG. M2095 FOR ARRANGEMENT



REVISIONS

TITLE

ORAC 85:- CIRCUIT DIAGRAM OF P.S.U. CHASSIS.

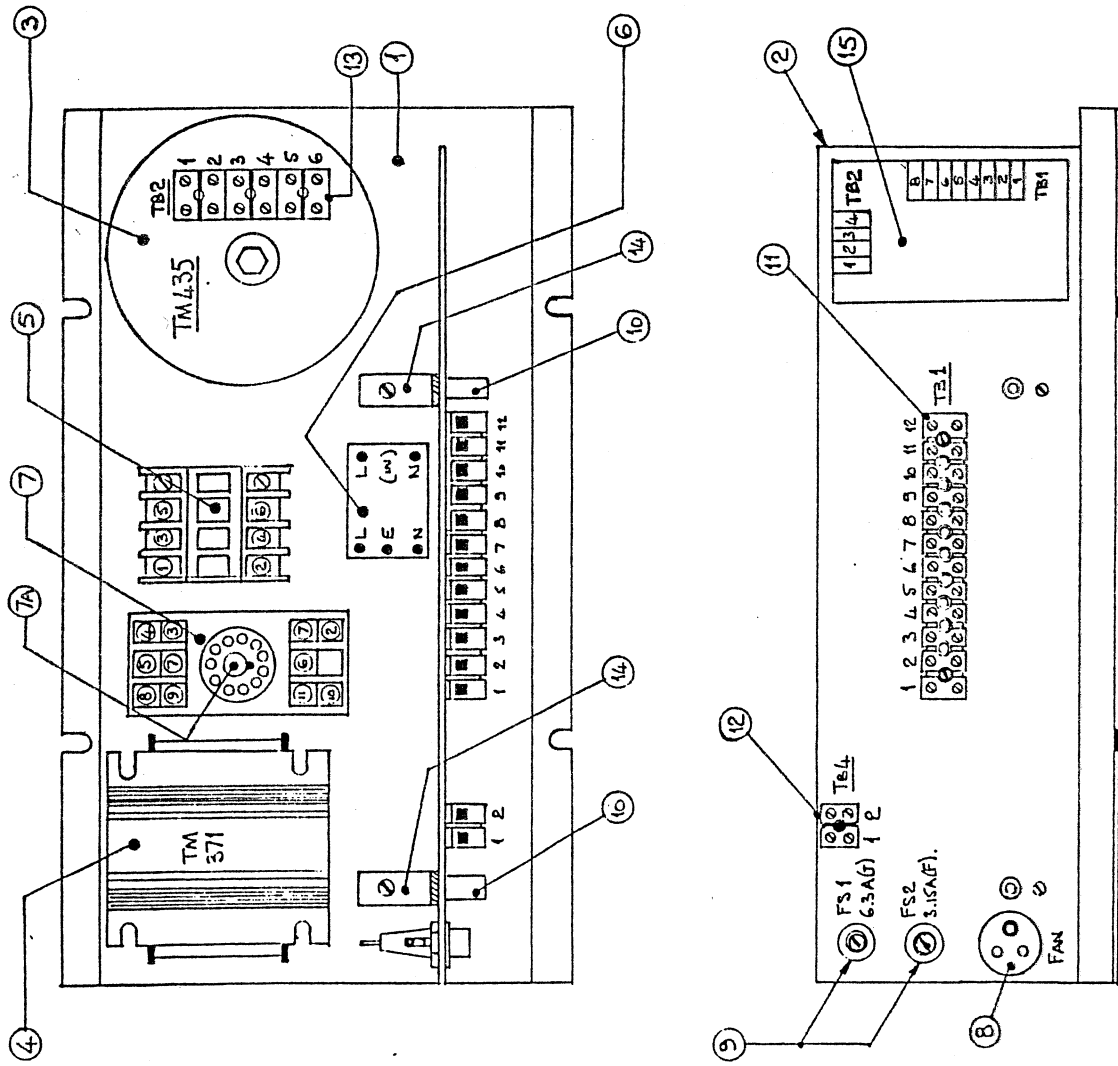
JOB	CODE	DRN.	CKD.	DATE
		AK		73.5.86

GSM-SYNTTEL LTD.

VICTORIA WORKS,
 QUEENS MILL ROAD,
 HUDDERSFIELD,
 W. YORKS. HD1 3PQ
 Phone: 0484 351018

DRG. No.

M2094



ITEM	DESCRIPTION	STORE REF.	N° OFF	REMARKS
1	CHASSIS PLATE		1	SEE DRG. M1970
2	3mm BLACK PLASTIC PANEL 318 x 100 mm		1	
3	TOROIDAL TRANSFORMER	TM 435	1	DRIVES TRFR.
4	TRANSFORMER	TM 371	1	CONTROL - LOGE ETC.
5	R2-09-AD1 CAPACITOR	CR 148	1	240V COIL
6	MAINS FILTER	GH155	1	
7	11-PIN RELAY BASE	CR 146	1	COMPLETE WITH
7A	11-PIN RELAY	CR 145	1	24V AC COIL 318E C10
8	11435 BS SOCKET	TS 63	1	
9	FUSE HOLDER COMM	FH 3	2	
10	4mm NYLON PILLAR	GH175	2	
11	MK3/12 TERM. BLOCK	TS 29	1	
12	MK3/2 " "	TS -	1	OFF-CUT.
13	MKG/6 " "	TS 96	1	
14	MILD STEEL BRACKET		2	T. DRG. S1990
15	SPINDLE CONTROL UNIT	Pe1951	1	SEE DRG. S2109 ETC.

SEE DRG. M209/L FOR CIRCUIT DIAGRAM.

REVISIONS

TITLE

DRAC 85 :- ARRANGEMENT OF P.S.U. CHASSIS.

JOB
CODE
DRN. *PRG*
CKD.
DATE 14.5.86

BSM-SYNTREL LTD.

VICTORIA WORKS,
QUEENS MILL ROAD,
HUDDERSFIELD,
W. YORKS. HD1 3PD
Phone: 0484 35101/2

DRG. No.

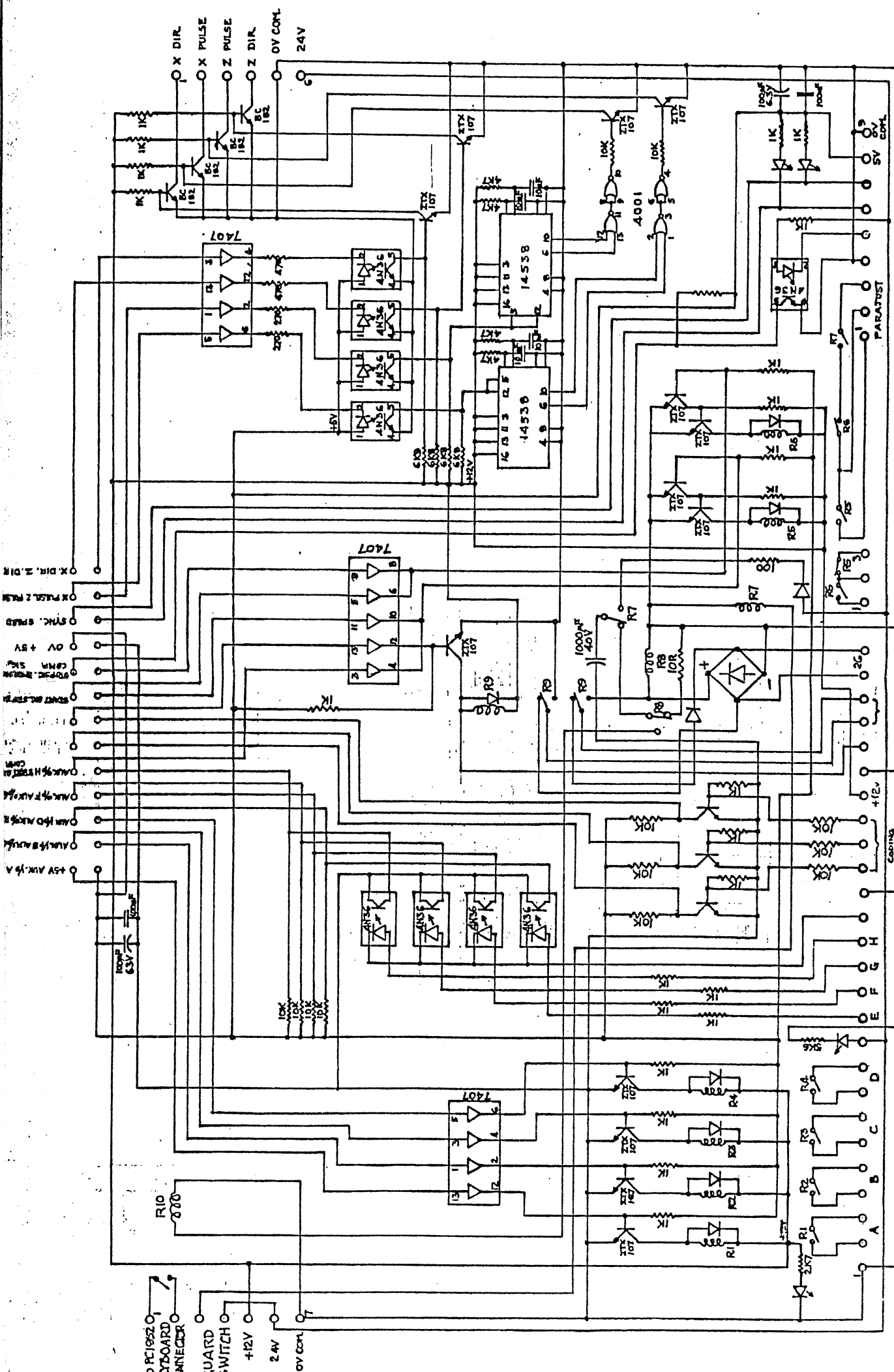
M2095

COMPUTER INTERFACE PC 1965.

③

M2011

M. 2106



M2011

GSM-SYRJTEL LTD. D.G. No. 11, 12, 13, 14, 15, 16, 17, 18, 19, 20, 21, 22, 23, 24, 25, 26, 27, 28, 29, 30, 31, 32, 33, 34, 35, 36, 37, 38, 39, 40, 41, 42, 43, 44, 45, 46, 47, 48, 49, 50, 51, 52, 53, 54, 55, 56, 57, 58, 59, 60, 61, 62, 63, 64, 65, 66, 67, 68, 69, 70, 71, 72, 73, 74, 75, 76, 77, 78, 79, 80, 81, 82, 83, 84, 85, 86, 87, 88, 89, 90, 91, 92, 93, 94, 95, 96, 97, 98, 99, 100

VICTORIA WORKS
 QUEEN ST. ROAD,
 MIDDLESBROUGH,
 NORTH YORKSHIRE
 ENGLAND

DATE: 28.2.85

**CIRCUIT DIAGRAM FOR PC 1965
 ORAC 85 COMPUTER INTERFACE BOARD**

REVISIONS: 1 PARASTOP START/STOP NOT SHOWN IN CHAS. 1. 22.5.86 L. THE PART #12V. WMS. OUT OF LINE

PC BOARD: 1965
 PART: 1965
 DATE: 28.2.85

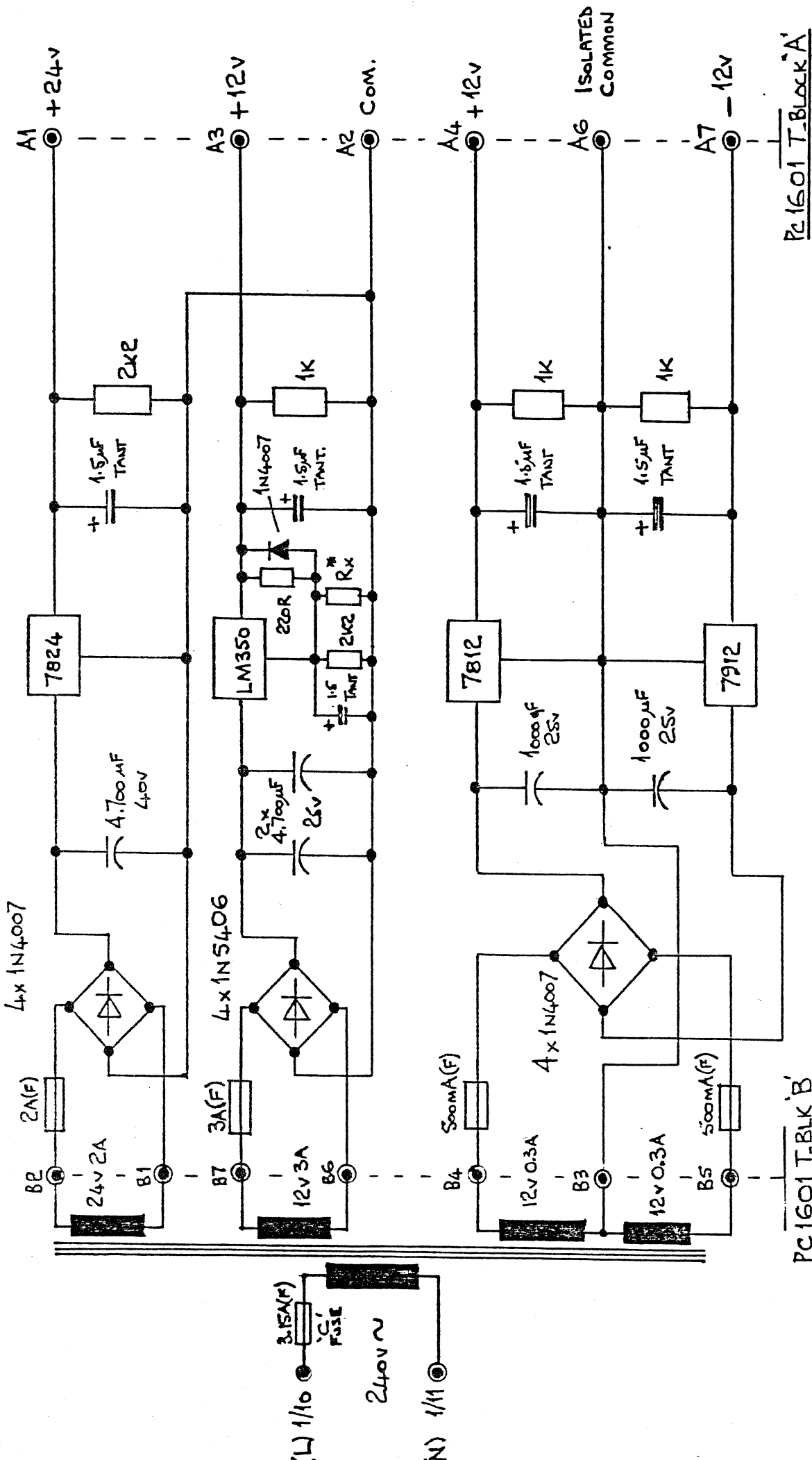
MOTOR
 HANDL
 OVERDR
 AUX. INPUT COM
 24VDC
 AUX. I/P's
 AUX. O/P's

REGULATOR BOARD PC 1601

④

S2098

S2074

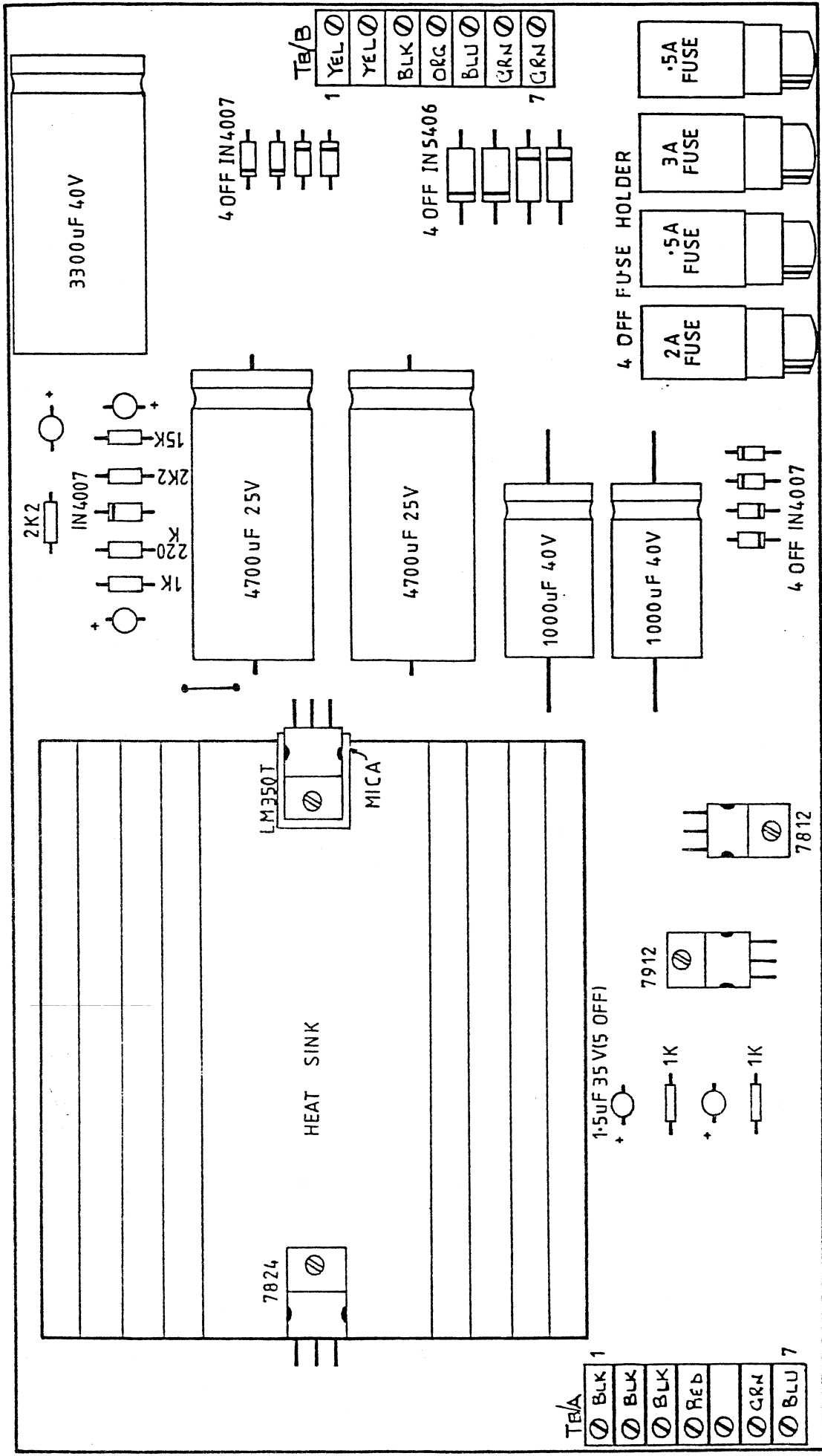


PC1601 T-Block 'A'

PC1601 T-Block 'B'

* NOTE! R_x IS A TRIMMING RESISTOR - NORMALLY 15K

GSM-SYNTEL LTD.		DRG. No.
VICTORIA WORKS, QUEENS MILL ROAD, HUDDERSFIELD, W. YORKS. HD1 3PG Phone: 0484 38101/2		S2098
JOB	CODE	
DRN.	DRN.	R30
CKD.	CKD.	
DATE	DATE	14.5.86
TITLE		
ORAC 85 :- PC1601 PSU REGULATOR BOARD - CIRCUIT		



REVISIONS

JOB CODE DRN. CKD. DATE

DRG. No.

GSM-SYNTTEL LTD.
 VICTORIA WORKS,
 QUEENS MILL ROAD,
 HUDDERSFIELD,
 W. YORKS. HD1 3PG
 Phone: 0484 38101/R

S2074

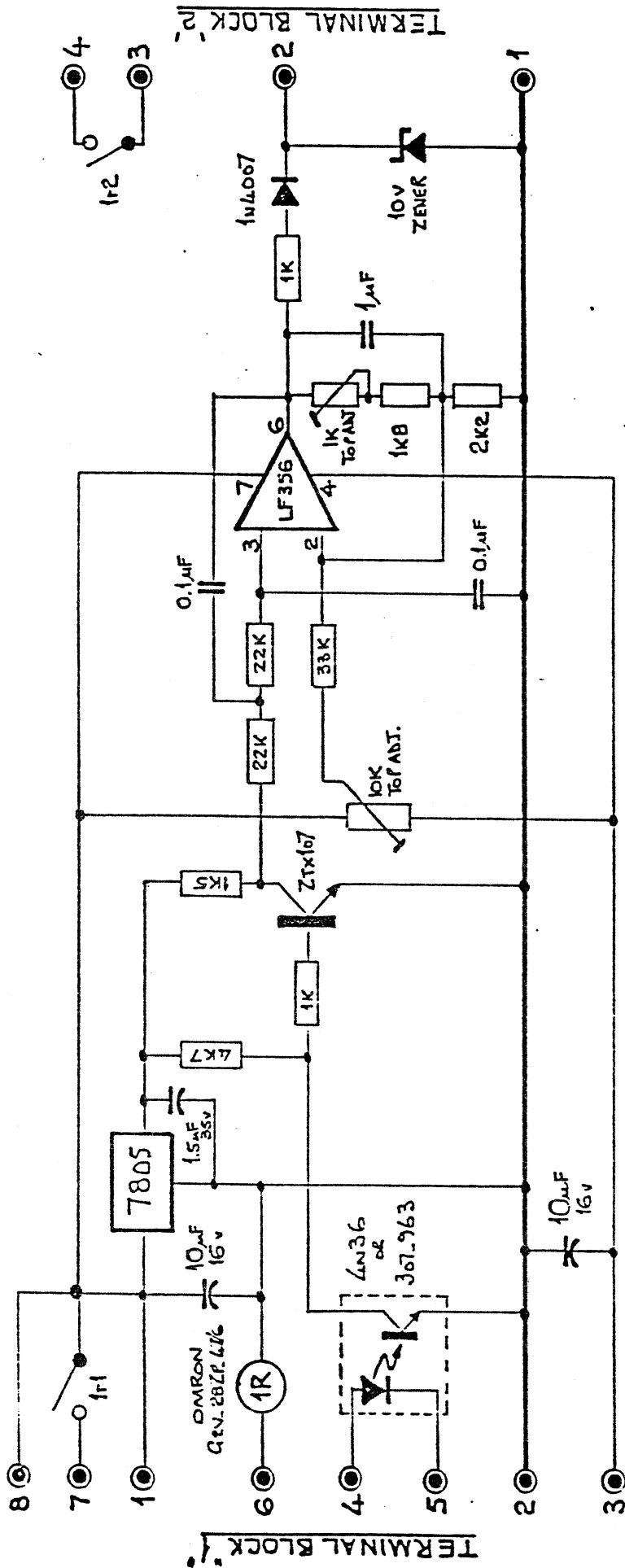
COMPONENT LAYOUT FOR ORAC 85 P21601

SPINDLE CONTROL UNIT PC1951

⑤

S2108

S2109



SEE DRG. S2109 FOR COMPONENT LAYOUT.

REVISIONS

TITLE

ORAC 85: SPINDLE CONTROL UNIT - PC 1951 - CIRCUIT DIAG.

JOB

CODE

DRN.

CKD.

DATE

PLD

23.5.86

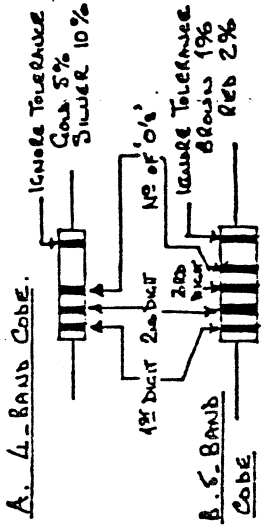
GSM-SYNTTEL LTD.

VICTORIA WORKS,
QUEENS MILL ROAD,
HUDDERSFIELD,
W. YORKS. HD1 3PB
Phone: 0484 35101/R

DRG. No.

S2108

RESISTOR CODES



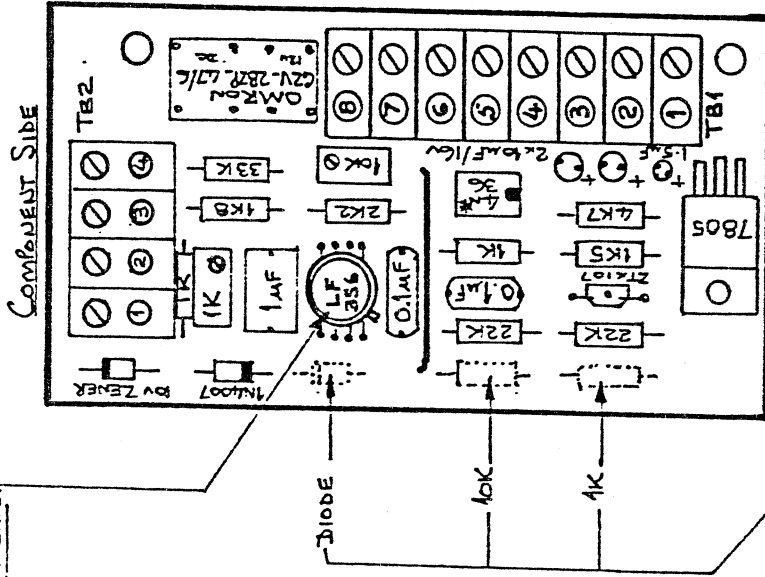
A.

VALUE	Band 1	Band 2	Band 3
1K	BRN	BLK	REB
1K5	BRN	GRN	REB
1K8	BRN	GRY	REB
2K2	REB	REB	REB
4K7	YEL	MVE	REB
22K	REB	REB	ORG.
33K	ORG.	ORG.	ORG.

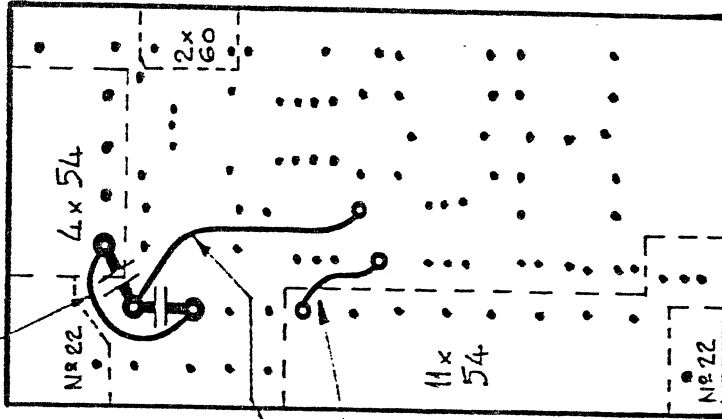
B.

VALUE	Band 1	Band 2	Band 3	Band 4
1K	BRN	BLK	BLK	BRN
1K5	BRN	GRN	BLK	BRN
1K8	BRN	GRY	BLK	BRN
2K2	REB	REB	BLK	BRN
4K7	YEL	MVE	BLK	BRN
22K	REB	REB	BLK	REB
33K	ORG.	ORG.	BLK	REB

LF 356 To STAY JUST BELOW LEVEL OF 0.1 CAPS.



SOLDER SIDE



CUT 2 TRACKS AS SHOWN - THEN ADD THE THREE LINKS

LINK No 2
LINK No 3

UNMARKED HOLES ARE DRILLED 0.9 MM

THESE COMPONENTS OMITTED.

* R/S 207-963 IS ALTERNATIVE TO L4N36

REVISIONS

TITLE
DRAC 85:

DRILLING DETAILS & COMPONENT LAYOUT OF PC 1951
SPABLE CONTROL P.C.B.

JOB CODE
DRN. PL2
CKD.
DATE 23.5.86

GSM-SYNTTEL LTD.

VICTORIA WORKS,
QUEENS MILL ROAD,
HUDDERSFIELD,
W. YORKS. HD1 3PD
Phone: 0484 38101/2

DRG. No.

S2109

DRAWING DETAILS:-

- A = N° 39 DRILL --- 2 off.
- B = N° 54 DRILL --- 4 off
- C = N° 20 DRILL --- 4 off
- D = N° 56 DRILL --- 2 off
- E = 0.9mm. DRILL --- 70 off.

PC 1952

BLEEPER

GH 183
(MOUNTED TRACKSIDE)

2 OFF EACH
6 BA 1/2 BOLTS + NUTS
ROUNDHEADS

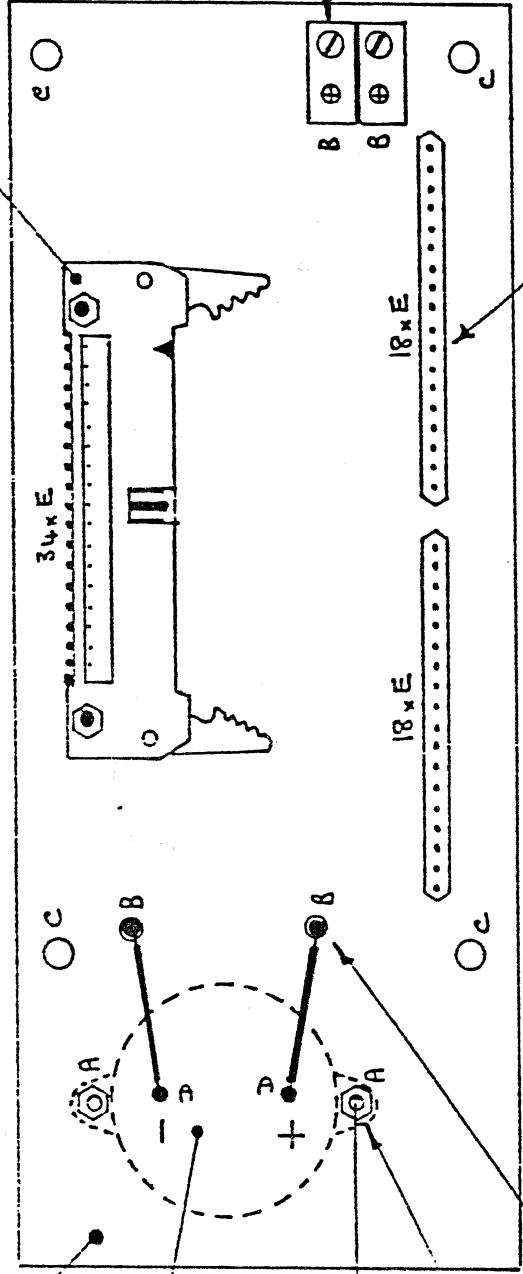
2 STAKERS CHISEL
UNDER BLEEPER

2 VEGORINS

3/4 WAY R.A. HEMBER
TS 215
(TO TIOB)

2 WAY PC MFG. BLOCK
(OFF-CUT)
TO PC 1965 TABLE
TERM 1862

2 x 18 WAY SIL. (TS 230 CUT).



REVISIONS

TITLE

ORAC 85 :- PC 1952 - BLEEPER BOARD -
& DRILLING DETAILS.

<u>JOB</u>	<u>CODE</u>	<u>DRN.</u>	<u>CKD.</u>	<u>DATE</u>
		<i>PRP</i>		<i>14.5.86</i>

Component Layout
& DRILLING DETAILS.

GSM-SYNTTEL LTD.

VICTORIA WORKS,
QUEENS MILL ROAD,
HUDDERSFIELD,
W. YORKS. HD1 3PG
Phone: 0484 38101/2

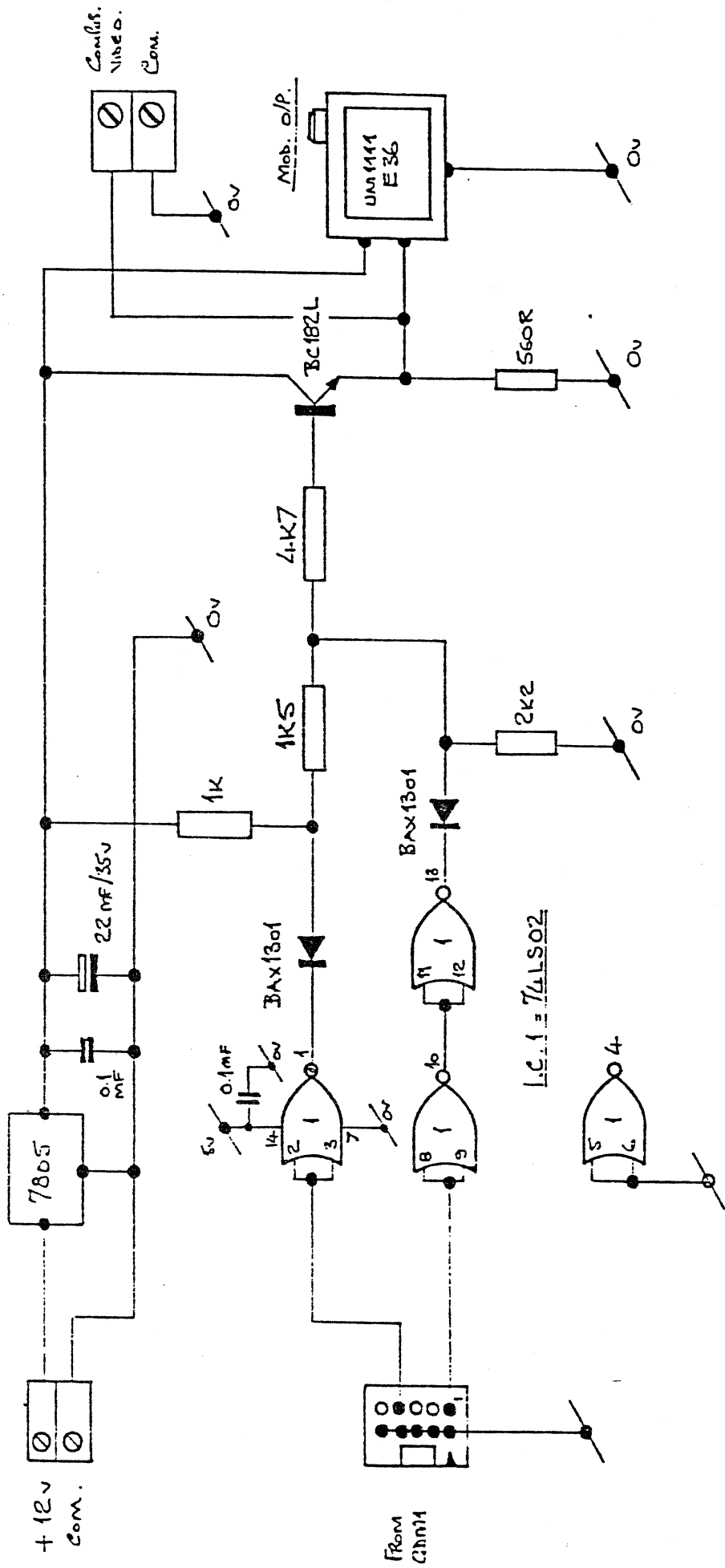
DRG. No.

S2097

RE: MONITOR UNITS

(7)

NEVIN — MODULATOR — S2099
M1958
KME — BITO — S2077
S2076
LEAFLET.



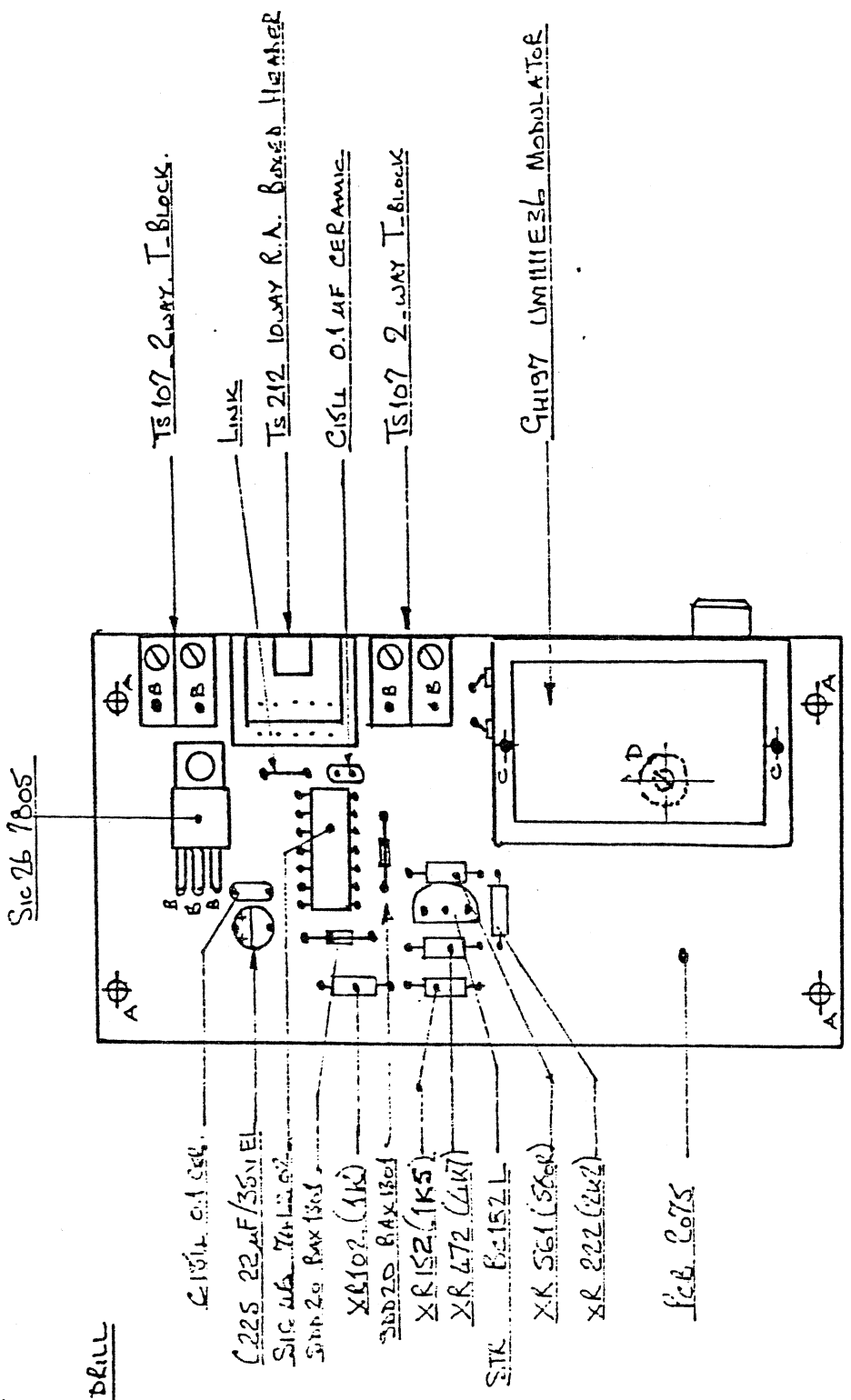
SEE DRG. S2076 FOR COMPONENT LAYOUT.

REVISIONS	JOB				GSM-SYNTTEL LTD. VICTORIA WORKS, QUEENS MILL ROAD, HUDDERSFIELD, W. YORKS. HD1 3PG Phone: 0484 38101/2	DRG. No.
	CODE					S2077
TITLE	DRN.				To suit KME MONITOR ORAC:- CIRCUIT DIAGRAM OF MODULATOR Pc 2075 (COMPOSITE VIDEO) '85	
	CKD.					
	DATE					

HOLE SIZES:-

- A = N° 29 DRILL - 4 OFF.
- B = N° 54 DRILL - 7 OFF.
- C = N° 52 DRILL - 2 OFF.
- D = N° 1 DRILL - 1 OFF.

REMAINING HOLES - N° 60 DRILL



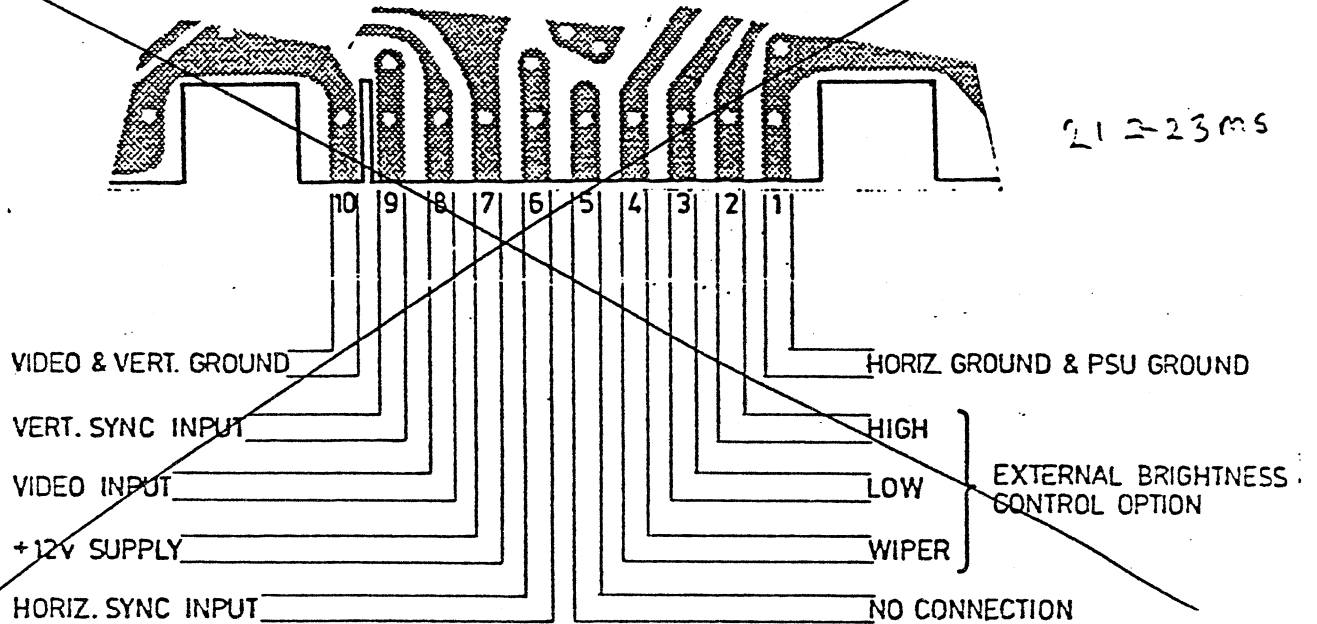
SEE DRG. S2077 FOR CIRCUIT DIAGRAM.

JOB		DRG. No.	
CODE		S2076	
DRN.		GSM-SYNTTEL LTD.	
CKD.		VICTORIA WORKS, QUEENS MILL ROAD, HUDDERSFIELD, W. YORKS. HD1 3PD Phone: 0484 36101/2	
DATE		7.3.86	
REVISIONS			
TITLE			
"ORAG" :- REVISED MODULATOR PCB - COMPONENT LAYOUT & DRILLING - '85'			
To SUIT KME MONITOR		PCB	

TTL Version

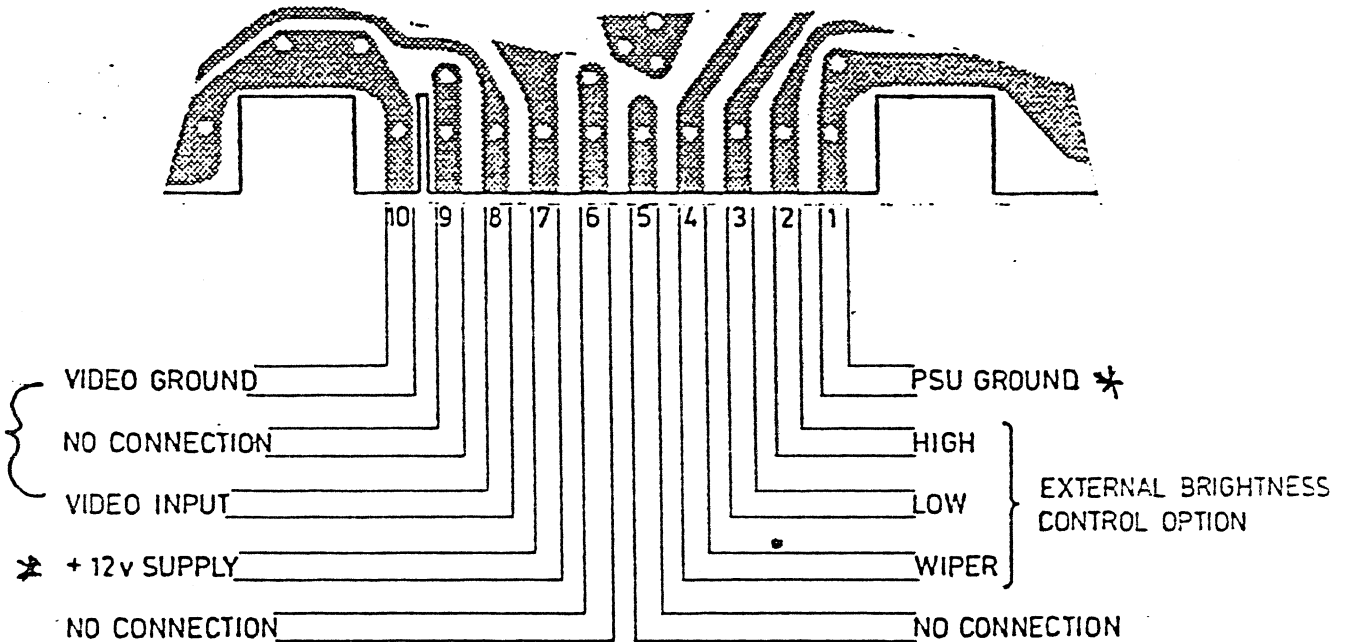
R5 = 27k

21 = 23ms



(Viewed from top side of PCB)

COMPOSITE Video version



(Viewed from top side of P.C.B)

OTHER INTERCONNECTIONS

⑧

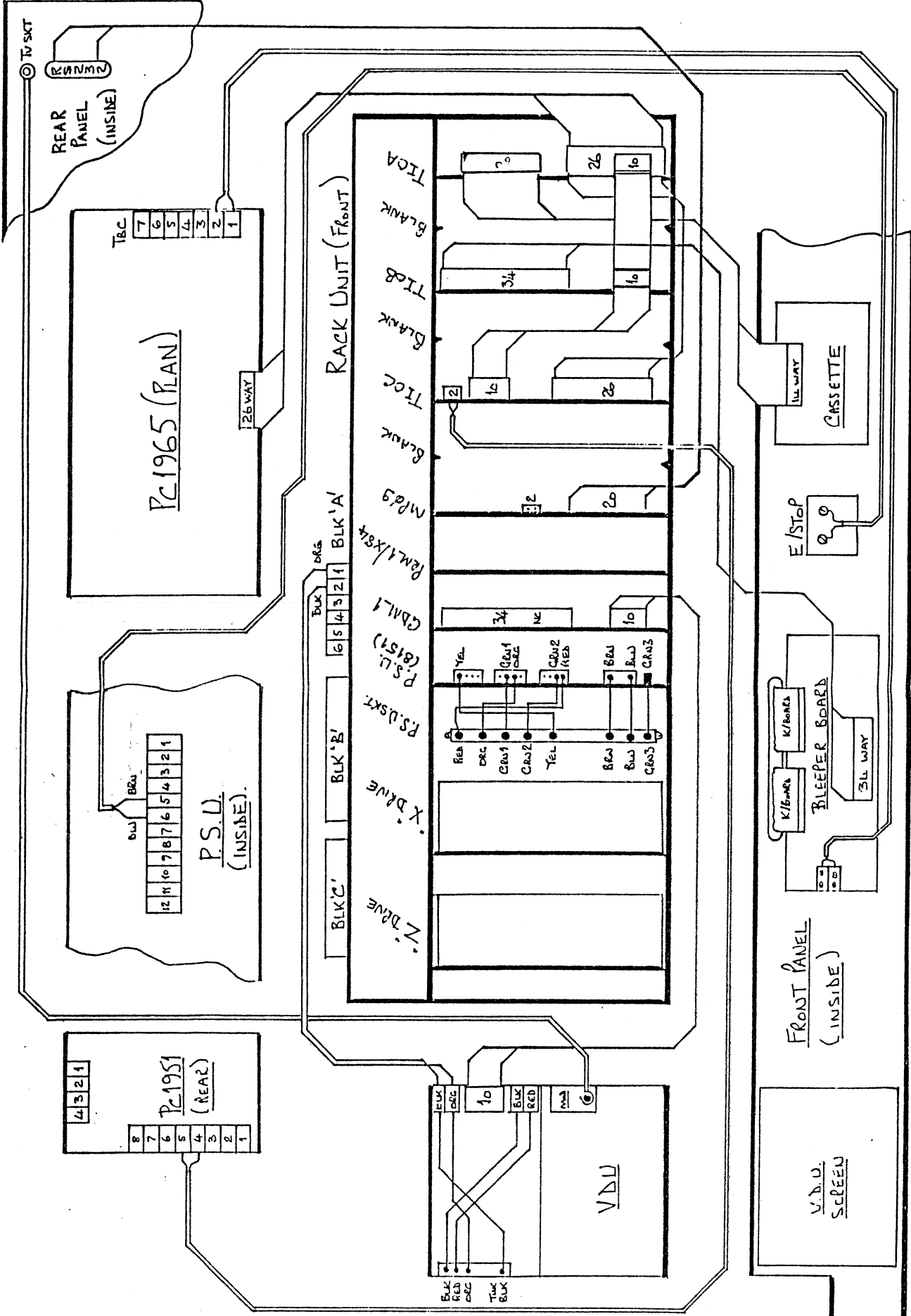
RIBBONS _____ M2105

PSU 2501/RACK _____ S2123

PSU 8151/RACK _____ S1861

DATA CASSETTE /RACK _____ S2100

AUDIO CASSETTE H/PHONE _____ S1632



REVISIONS

JOB	
CODE	
DRN	APR
KCD	
DATE	27-5-86

GSM-SYNTEL LTD.
 VICTORIA WORKS,
 QUEENS MILL ROAD,
 HUDDERSFIELD,
 W. YORKS. HD1 3PD
 Phone: 0484 35101/2

DRG. No.

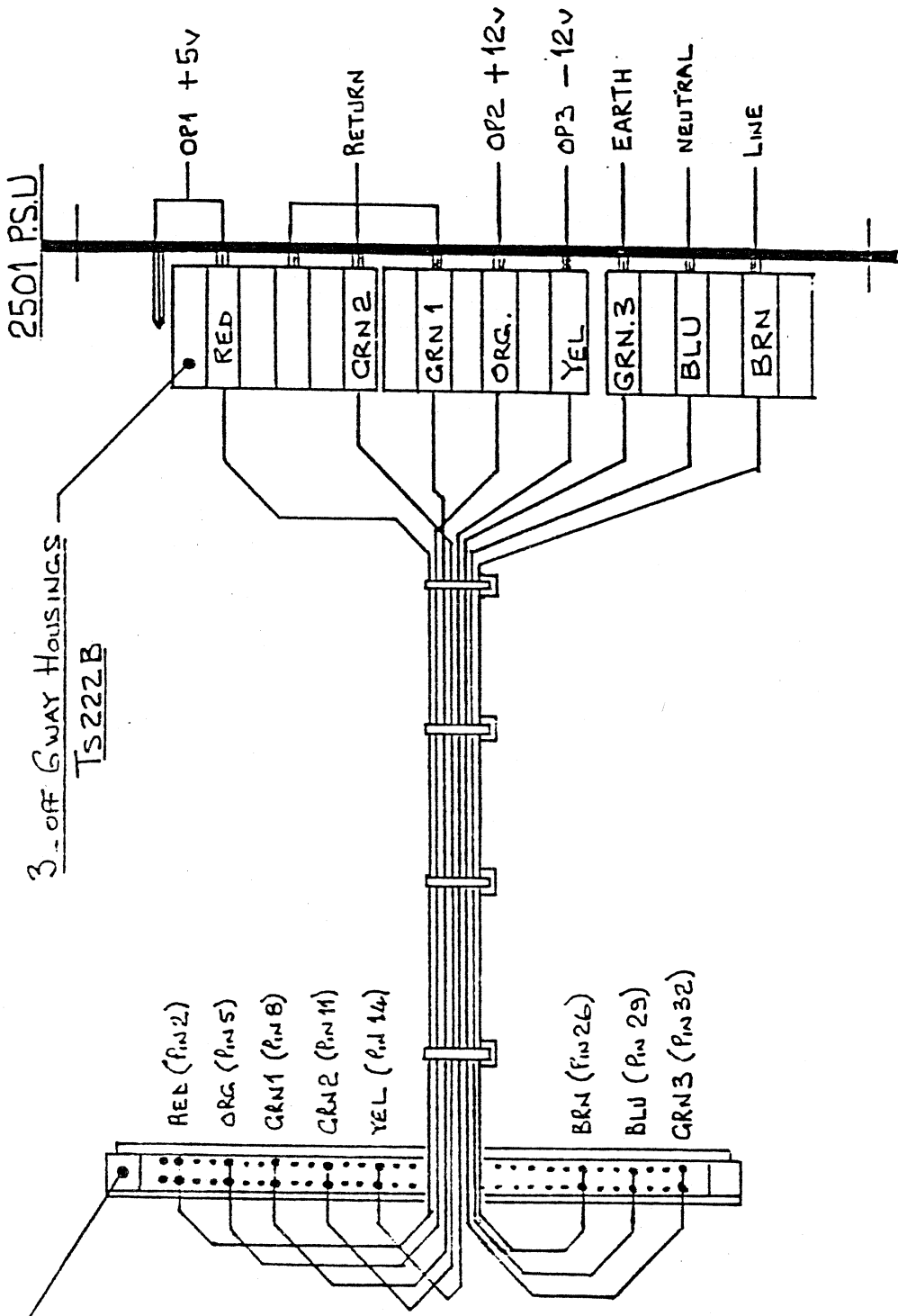
TITLE

ORAC 85:- RIBBON CABLE INTERCONNECTIONS ETC

M2105

64-WAY
MALE CONNECTOR.

3-OFF GWAY HOUSINGS
TS222B



REVISIONS

TITLE
ORAC 85
2501 POWER SUPPLY UNIT CONNECTOR
FROM P.S.U. TO RACK.

JOB	
CODE	
DRN.	<i>PEP</i>
CKD.	
DATE	25.6.86

GSM-SYNTTEL LTD.

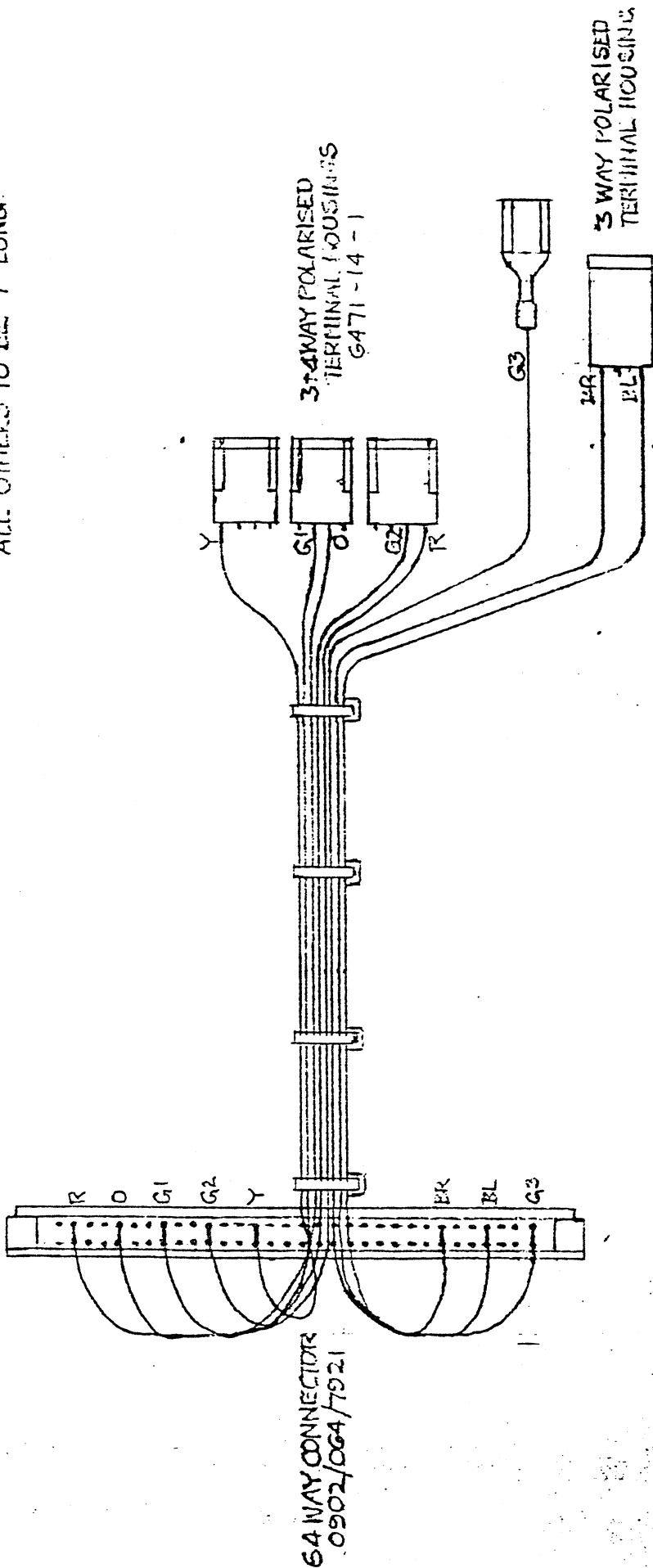
VICTORIA WORKS,
QUEENS MILL ROAD,
HUDDERSFIELD,
W. YORKS. HD1 3PG
Phone: 0484 36101/2

DRG. No.

S2123

NOTE

BLUE, BROWN & G3-9" LONG
ALL OTHERS TO BE 7" LONG.



DRG. No.

\$1861

GBM-SYNTEL LTD.

VICTORIA WORKS,
QUEENS MILL ROAD,
HUDDESFIELD,
W. YORKS. HD1 3AB
Phone: 0484 35101/2

JOB	
CODE	
DRN.	SFB.
CKD.	
DATE	4. 4. 84

REVISIONS MOD. J10R.

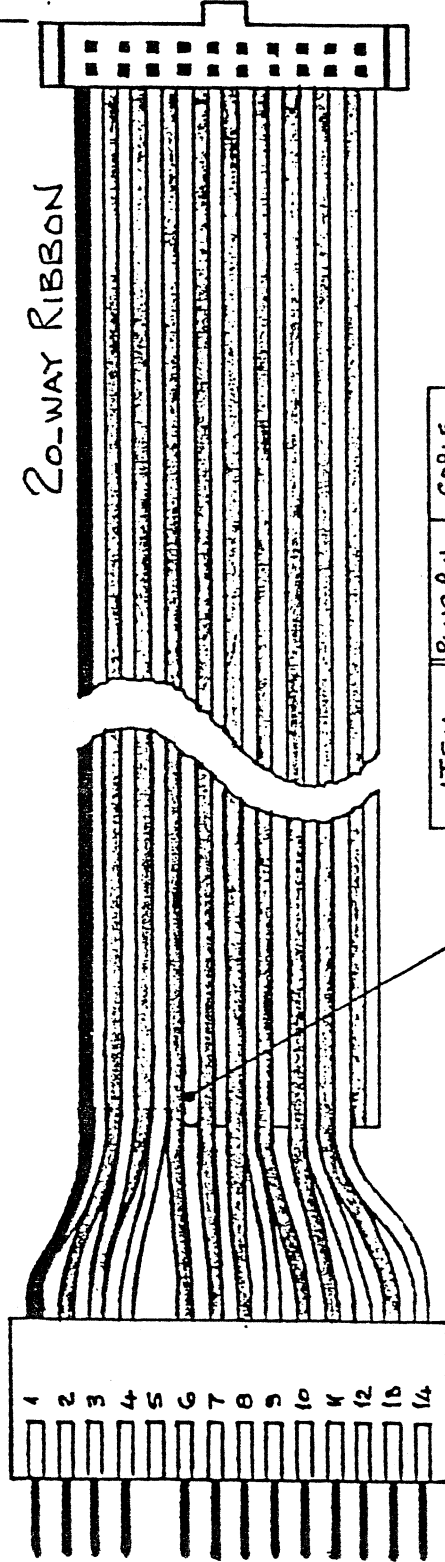
15. 1. 84

TITLE
REV. BASIC ELASTIC POWER SUPPLY MODULE
BACK CONNECTOR FOR ORAC - MK III & '85

CASSETTE END.

T10A END

750



CONN. 8, 10, 14, 19 & 20
COT SHEET

14-WAY IN-LINE PLUG
PIN 5 OMITTED

20-WAY MOLEX
CONNECTOR

ITEM	PLUG PIN	CABLE
+12V	1	1 & 2
COM. GND	2	3
" "	3	4 & 5
" "	4	6
KEYWAY	5	
WBA	6	7
BET	7	9
WCD	8	11
REV	9	12
FWD	10	13
RDC	11	15
RDA	12	16
CIP	13	17
WIEN	14	18

REVISIONS

TITLE

ORAC 85 :- T10A/DATA CASSETTE RIBBON CABLE DETAILS.

GSM-SYNTTEL LTD.

VICTORIA WORKS,
QUEENS MILL ROAD,
HUDDERSFIELD,
W. YORKS. HD1 3PB
Phone: 0484 38101/2

DRG. No.

S2100

JOB

CODE

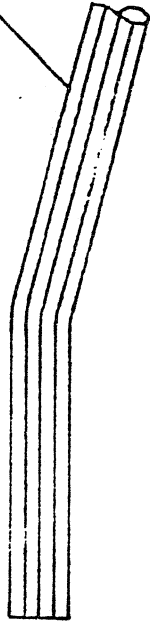
DRN. *120*

CKD.

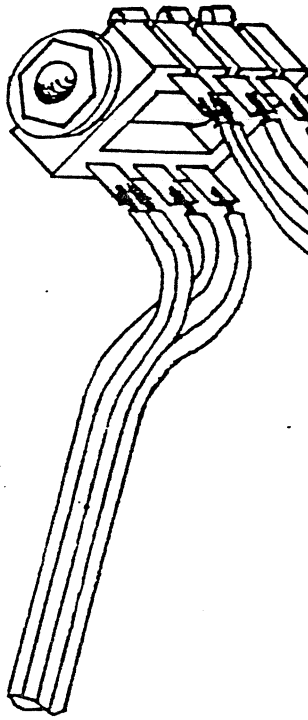
DATE

19.5.86

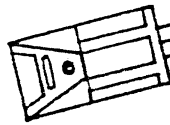
Cable length
1900 mm



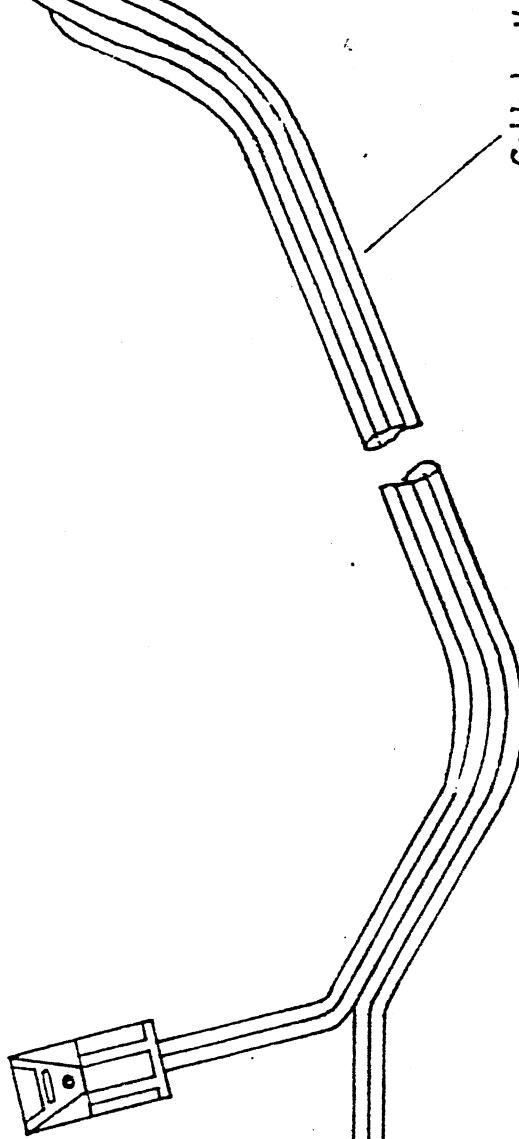
CABLE SUPPLIED
WITH SHARP
CASSETTE



Sleeve all
connections



Cable length
450 mm



VISIONS

LE

JACK SOCKET CONNECTION DETAILS ORACS MK III / 85 ETC

JOB

CODE

DRN. A. C. H.

CKD.

DATE 18. 11. 82

GSM ELECTRICAL CONTROLS LTD.

VICTORIA WORKS,
QUEENS MILL ROAD,
HUDDERSFIELD,
W. YORKS. HD1 3PJ
PHONE 0484 35101/2

DRG. No.

S1632

COMPUTER RACK - BOARDS

9

TIO_A _____ M2102

S2016

TIO_B _____ M2103

S2013

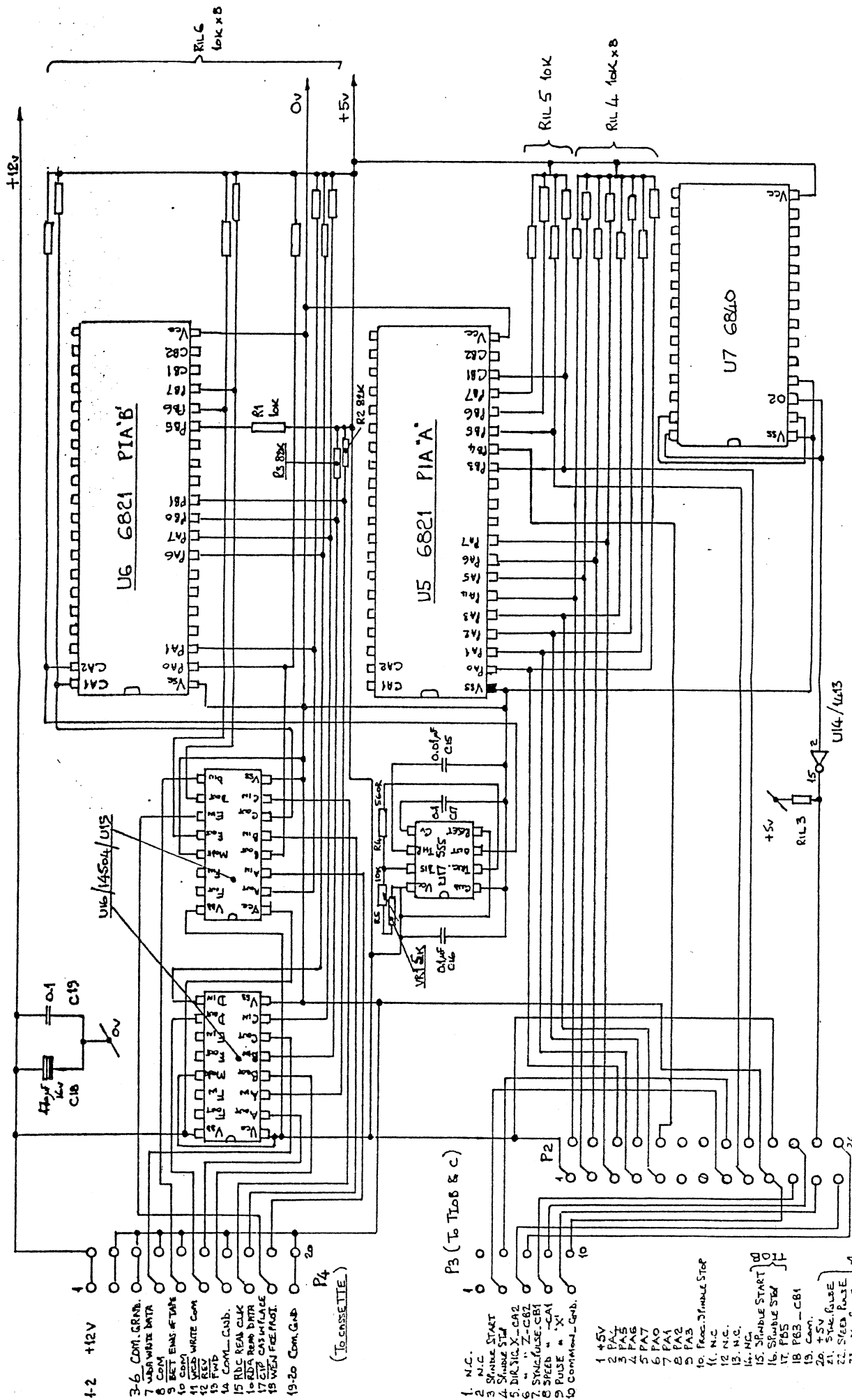
TIO_C _____ M2107

S2044

MP09 _____ M2104

PRM_1 / X84 _____ S2101

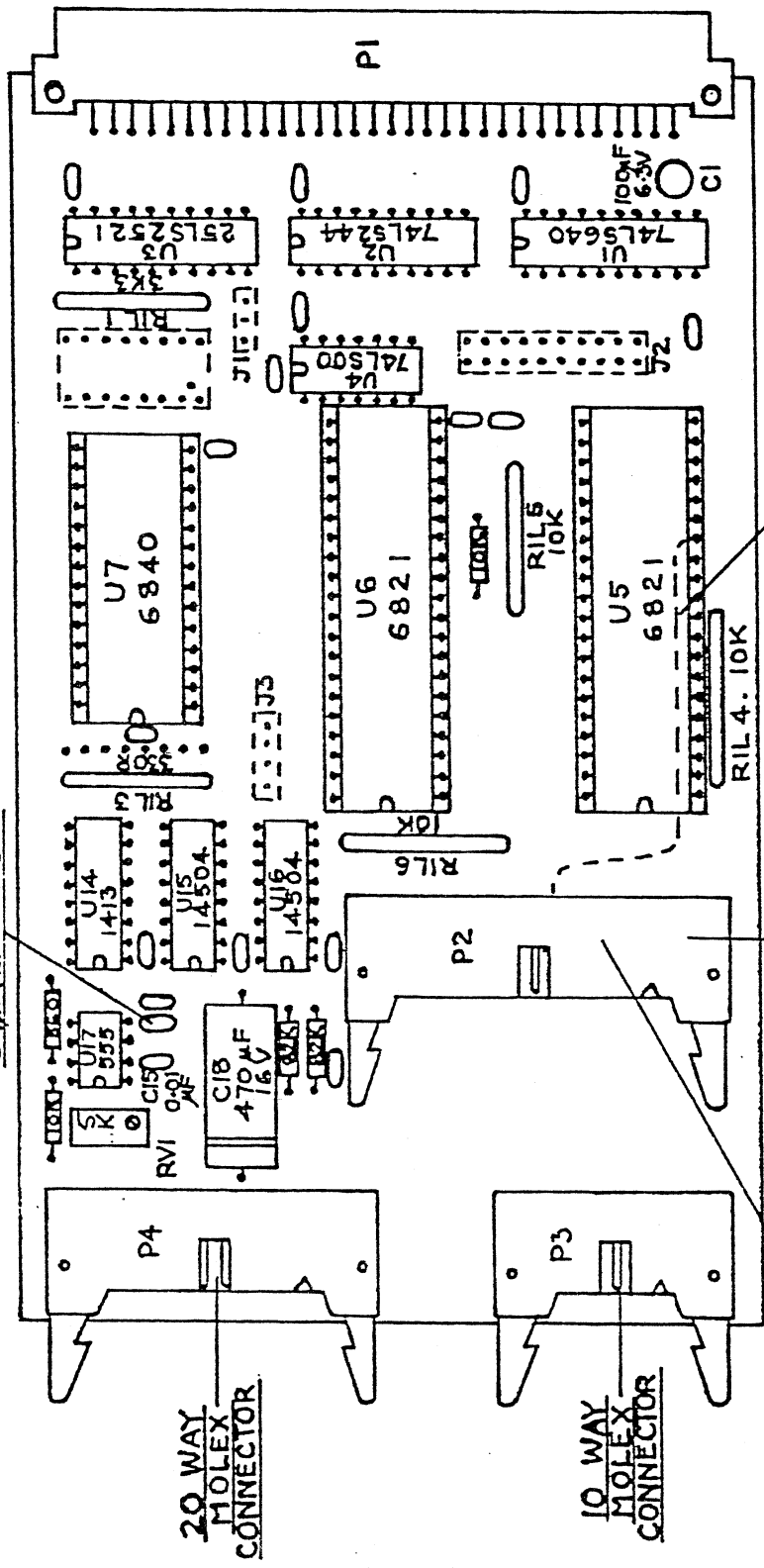
CDM1 SYNTA_S0061



NOTE: ALL I.C.'S HAVE 0.1µF CERAMIC Fk_{em} V_{cc} To Common.

JOB		CODE		DIN.		CKD.		DATE	
				P2				20.5.86	
GBM-SYNTEL LTD. VICTORIA WORKS, BUENES MILL ROAD, HUDDERSFIELD, W. YORKS. HD1 3PB Phone: 0484 38101/8									
DRG. No. M2102									
ORAC 85: T10A BOARD - CIRCUIT DIAGRAM.									
REVISIONS									

SMALL CAPACITORS
0.1µF, EXCEPT C15



WIRE LINK FROM U5-PIN 14
TO CONNECTOR P2 - PIN 10.

26 WAY
MOLEX
CONNECTOR

CUT TRACKS TO PINS
10, 11, 12, 13 & 14

20 WAY
MOLEX
CONNECTOR

10 WAY
MOLEX
CONNECTOR

DRG. No.

S2016

GSM ELECTRICAL CONTROLS LTD.

VICTORIA WORKS,
QUEENS MILL ROAD,
HUDDERSFIELD,
W. YORKS. HD1 3PJ
PHONE 0484 35101/2



JOB	
CODE	
DRN.	<i>A.B.</i>
CKD.	
DATE	6.3.85

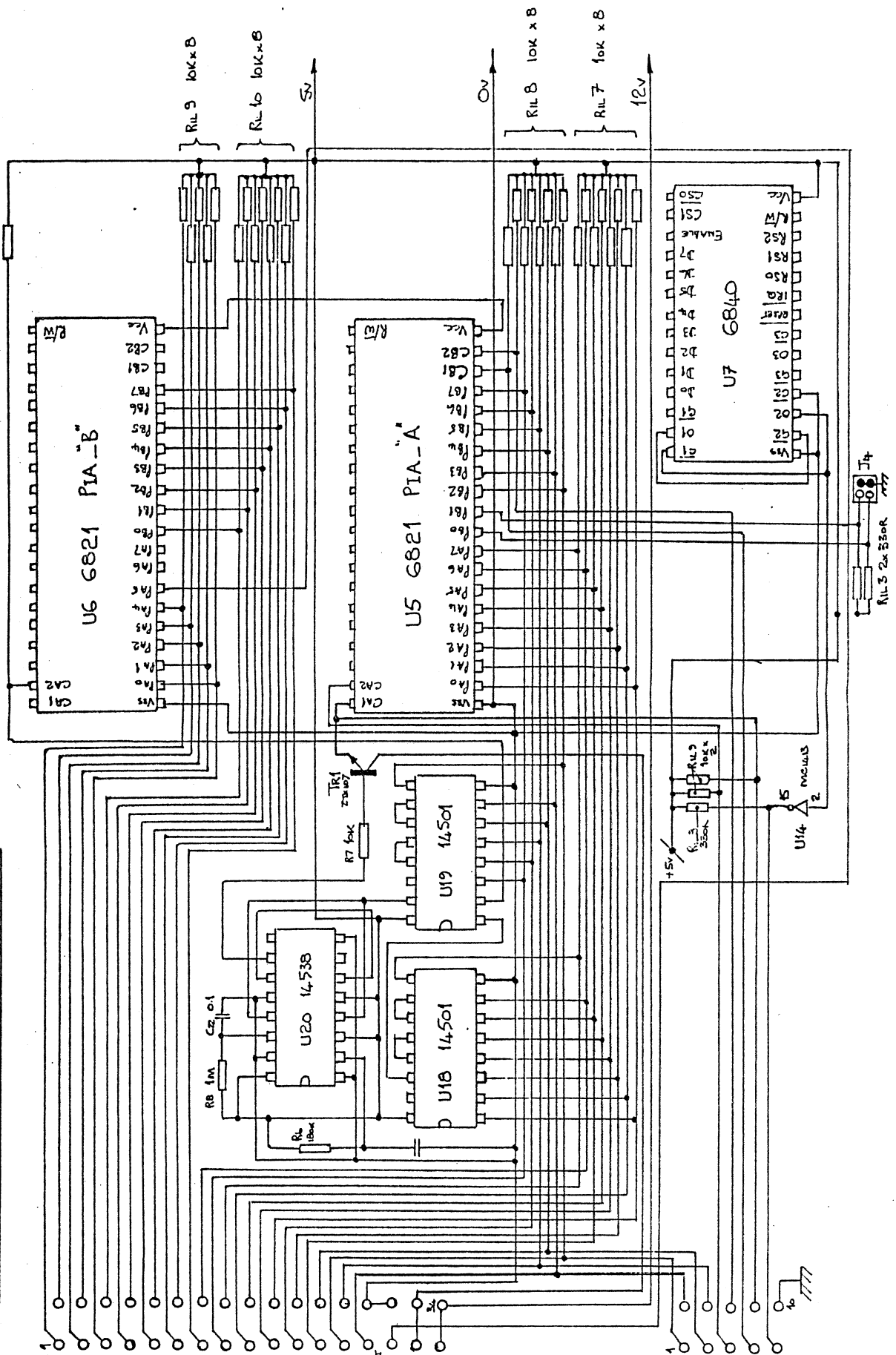
COMPONENT LAYOUT FOR T10-A
TIMER MODULE - ORAC 85'

REVISIONS

TITLE

PRINT WARD

NOTE! ALL ICs HAVE 0.1µF CERAMIC FROM Vcc TO Common.



- 1 PA4
- 2 PA3
- 3 PA2
- 4 PA1
- 5 PA0
- 6 PB1
- 7 PB2
- 8 PB3
- 9 PB4
- 10 PB5
- 11 PB6
- 12 PB7
- 13 PA4
- 14 PA3
- 15 PA2
- 16 PA1
- 17 PA0
- 18 PB1
- 19 PB2
- 20 PB3
- 21 PB4
- 22 PB5
- 23 PB6
- 24 PB7
- 25 ON
- 26 OFF
- 27 +5
- 28 Common
- 29 Common
- 30 Common
- 31 BUZZER
- 32 BUZZER
- 33 BUZZER
- 34 -OUT-

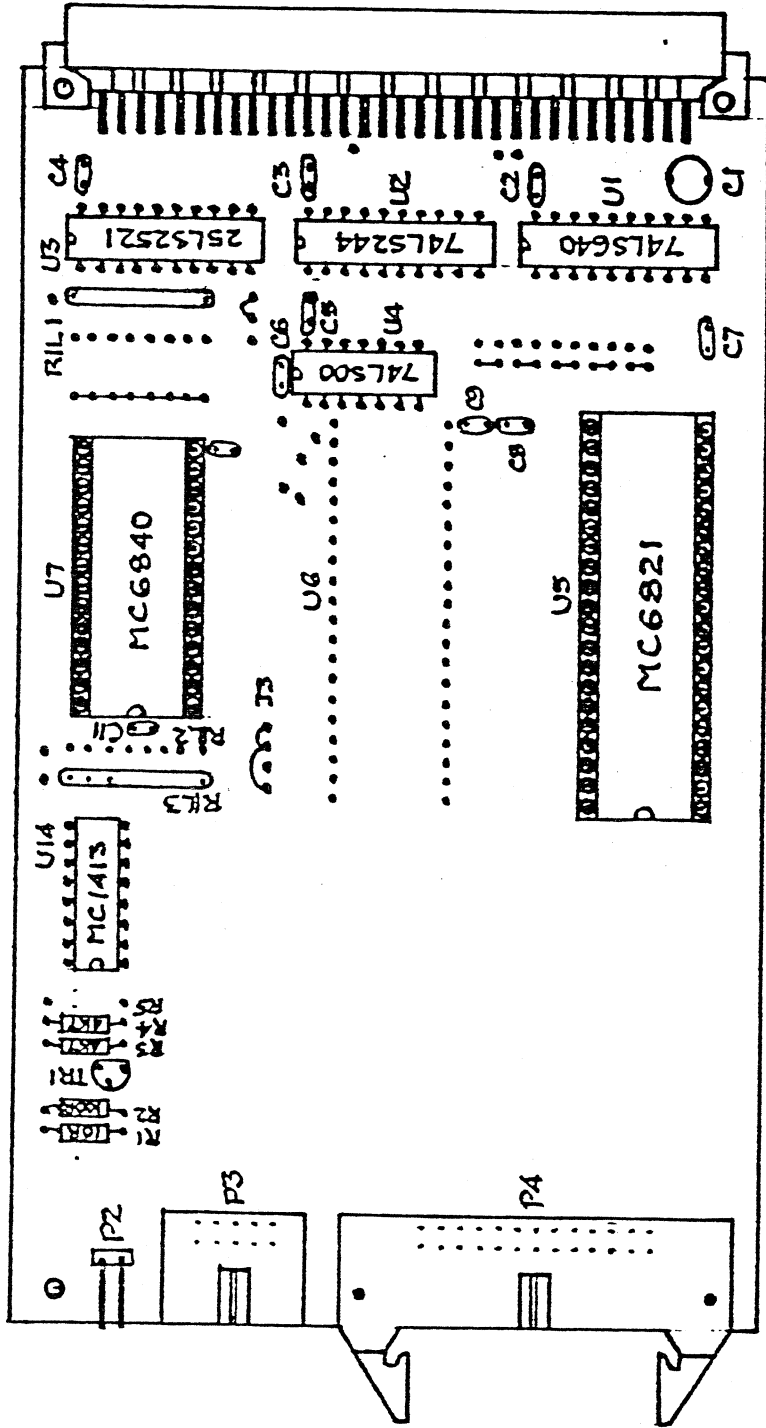
- 1 5V
- 2 START
- 3 STOP
- 4 DIR X CLR
- 5 Z CLR
- 6 SYNC CLR
- 7 SPEED CLR
- 8 BASE CLR
- 9 Common
- 10 Common

REVISIONS

ORAC 85 :- T10B - CIRCUIT DIAGRAM.

JOB	CODE	DRG. No.
		M2103
DATE	CKD.	DRAWN
26.5.86		PKP

GSM-SYNTEL LTD.
 VICTORIA WORKS,
 QUEENS MILL ROAD,
 HUDDERSFIELD,
 W. YORKS. HD1 3PB
 Phone: 0484 38101/2



REVISIONS

TITLE

ORAC 85: COMPONENT LAYOUT FOR TIO.C MODULE

JOB	
CODE	
DRN.	993
CKD.	
DATE	31.7.85

GBM-SYNTTEL LTD.

VICTORIA WORKS,
 QUEENS MILL ROAD,
 HUDDERSFIELD,
 W. YORKS. HD1 3PB
 Phone: 0484 35101/2

DRG. No.

S2044

